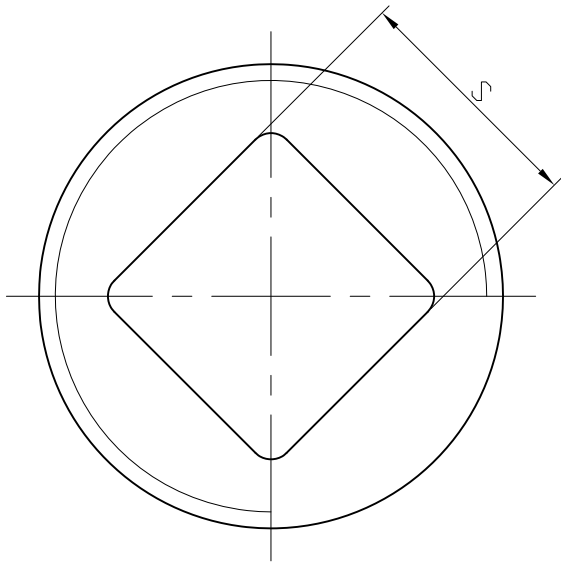
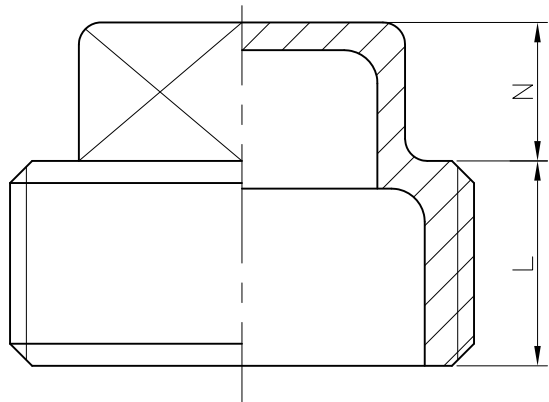


0.1	0.2	Ra
±0.1	0.2	
±0.2	1.6	
±0.3	6.3	
±0.5	25	
±0.8	~	
GENERAL TOLERANCE		
0.5~5		
6~30		
31~120		
121~320		
321~1000		

Square Plug



DN	N	L	S
6	6	7	7.2
8	6	9.5	8
10	7	10	10
15	8	12.5	13
20	9	14	16
25	12	15.5	19
32	12.5	18.5	22
40	13.5	18.5	25
50	14.5	23	29
65	17	25.5	39
80	17	28.5	44
100	21	34.5	58

unit:mm

NPS	N	L	S
1/8"	0.24	0.28	0.28
1/4"	0.24	0.37	0.31
3/8"	0.28	0.39	0.39
1/2"	0.31	0.49	0.51
3/4"	0.35	0.55	0.63
1"	0.47	0.61	0.75
1-1/4"	0.49	0.73	0.87
1-1/2"	0.53	0.73	0.98
2"	0.57	0.91	1.14
2-1/2"	0.67	1	1.54
3"	0.67	1.12	1.73
4"	0.83	1.36	2.28

unit:in

Tolerance : ±0.5mm(1/8"~2")
±0.8mm(2-1/2"~4")

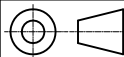
HAITIMA CORPORATION
P.O.BOX 34-36 TAIPEI
Tel:+886-2-26585800

E-mail:haitima@seed.net.tw
www.haitima.com.tw
TAIWAN R.O.C.
Fax:+886-2-26582266



HAITIMA CORPORATION

CHECK BY	DRAWING BY	DATE	SPECIFICATION	Square Plug
	<i>Juan</i>	Aug.19.2015	MATERIAL	304/316
			PROCESS/Nr.	
			UNIT / SCALE	mm



*ISO 4144

△			
△			
△			
Revise	Description	Date	Approve
DRAWING NO.		-15	

I16