

Item description/product images



Description

Material:
 Stainless steel 1.4305.

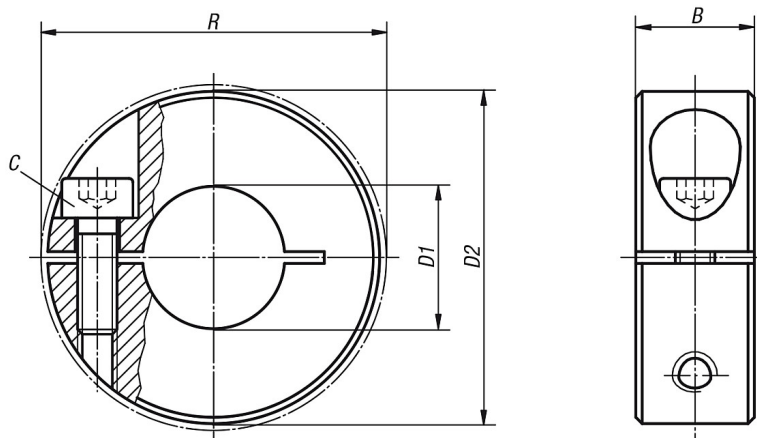
Version:
 Bright.

Note:
 One-piece shaft collars enclose the shaft with a uniformly distributed clamping force. This gives a very precise fit and high retaining force without damaging the shaft. The shaft tolerance should be h11 or better.

Temperature range:
 -40 °C to +175 °C.

On request:
 Other dimensions.

Drawings



Overview of items

Order No.	B	C (DIN 912)	D1	D2	R
50-180-1	9	M3x8	8	18	22,4
50-180-2	9	M3x10	10	24	26
50-180-3	11	M4x12	12	28	31,8
50-180-4	13	M5x16	15	34	39,4
50-180-5	13	M5x16	17	36	41,1
50-180-6	15	M6x18	20	40	46,4
50-180-7	15	M6x18	25	45	50,8
50-180-8	15	M6x18	30	54	58,6