

Item description/product images



Description

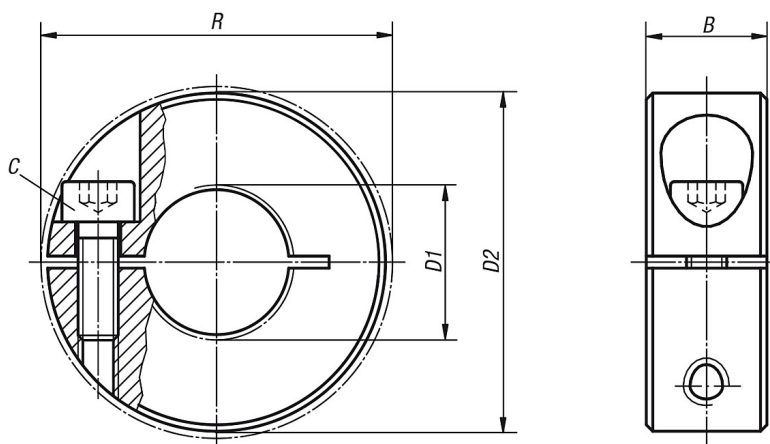
Material:
 Stainless steel 1.4305.

Version:
 Bright.

Note:
 Threaded shaft collars are used to limit the travel on screw shafts.

On request:
 Other dimensions.

Drawings



Overview of items

Order No.	B	C (DIN 912)	D1	D2	R
50-183-1	9	M3x10	M8	18	22,4
50-183-2	9	M3x10	M10	24	26
50-183-3	11	M4x12	M12	28	31,8
50-183-4	13	M5x16	M16	34	39,4
50-183-5	15	M6x16	M20	40	46,4
50-183-6	15	M6x16	M24	45	50,8
50-183-7	15	M6x18	M30	54	58,4