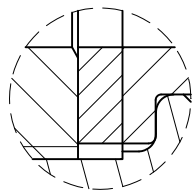
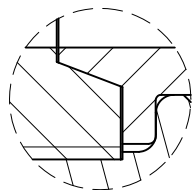


Union F/F

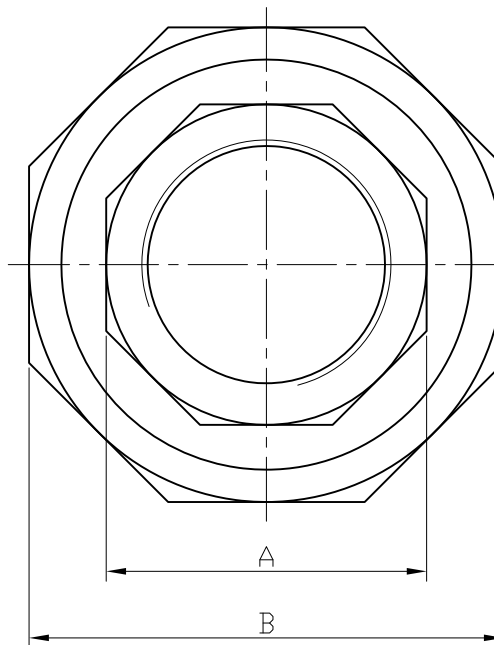
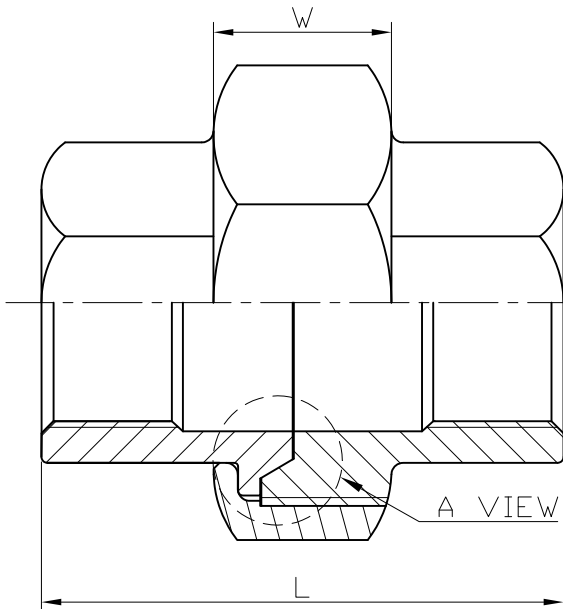
A VIEW



Flat Union



Conical Union
With Conical Seat



1/8"~1/4" Hexagon
3/8"~1" Octagon
1-1/4"~4" Decagon

DN	6	8	10	15	20	25	32	40	50	65	80	100
L	33	37	39	42	45	53	57	61	68	79	87	114
A	14	17.5	21	25.5	31	38.5	48	54	66.5	83	96.5	123
B	25	29.5	33	37	44	53	63	70	85	104	118	150
W	14	15	16	17	18	21	23	25	28	31	33	36

unit:mm

NPS	1/8"	1/4"	3/8"	1/2"	3/4"	1"	1-1/4"	1-1/2"	2"	2-1/2"	3"	4"
L	1.3	1.46	1.54	1.65	1.77	2.09	2.24	2.4	2.68	3.11	3.43	4.49
A	0.55	0.69	0.83	1	1.22	1.52	1.89	2.13	2.62	3.27	3.8	4.84
B	0.98	1.16	1.3	1.46	1.73	2.09	2.48	2.76	3.35	4.09	4.65	5.91
W	0.55	0.59	0.63	0.67	0.71	0.83	0.91	0.98	1.1	1.22	1.3	1.42

unit:in

Tolerance : $\pm 0.5\text{mm}$ (1/8"~2")
 $\pm 0.8\text{mm}$ (2-1/2"~4")

*ISO 4144

△			
△			
△			
Revise	Description	Date	Approve
DRAWING NO.		-15	

HAITIMA CORPORATION
P.O.BOX 34-36 TAIPEI
Tel:+886-2-26585800
E-mail:haitima@seed.net.tw
www.haitima.com.tw
TAIWAN R.O.C.
Fax:+886-2-26582266



HAITIMA CORPORATION

CHECK BY	DRAWING BY	DATE	SPECIFICATION	Union F/F
	<i>Juan</i>	Aug.17.2015	MATERIAL	304/316
			PROCESS/Nr.	
			UNIT / SCALE	mm