

Item description/product images



**Description**

**Material:**

Plate stainless steel 1.4301.  
 Core thermoplast PA.  
 Rubber base TPE, hardness 70 Shore A.

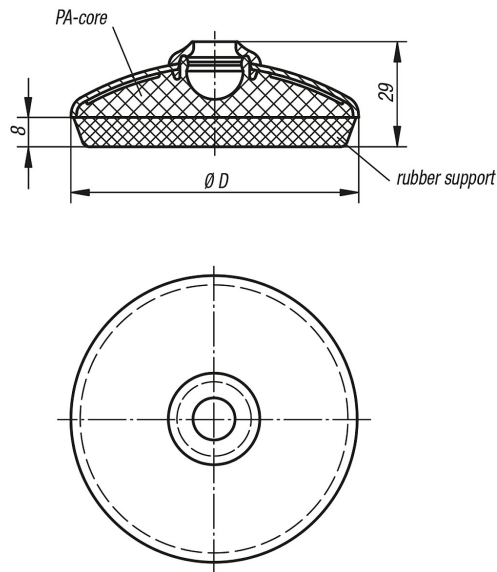
**Version:**

Plate bright.  
 Rubber base light grey, with sealing lip.  
 Temp. range -20 °C to +100 °C.

**Note:**

With this stainless steel baseplate the rubber base is vulcanized onto the steel plate and the PA core. The rubber base is resistant to oil and water (up to 60 °C). Additionally, it has an antibacterial and antimicrobial protection, which makes it ideal for use in food processing industries. Swivel feet consist of a plate and a threaded spindle or ball joint. Any plate can be combined with any threaded spindle. For suitable threaded spindles see article 50-68.

Drawings



Overview of items

Order No.	D	Load rating max. kN
50-83-1	58,5	7
50-83-2	78,5	7
50-83-3	98,5	7