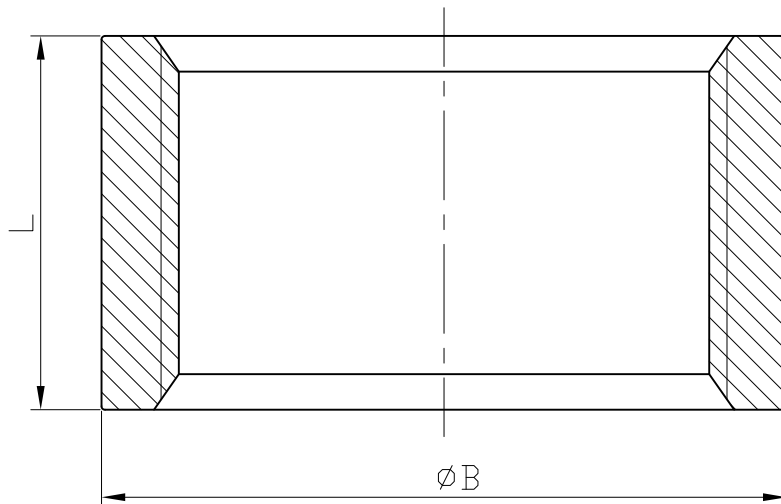


Half Coupling



±0.1	0.1	Ra
±0.2	0.2	▽
±0.3	0.3	▽
±0.5	0.5	▽
±0.8	0.8	▽
0.5~5	25	▽
6~30	1.6	▽
31~120	6.3	▽
121~320	1.6	▽
321~1000	0.2	▽
GENERAL TOLERANCE		JIS

DN	6	8	10	15	20	25	32	40	50	65	80	100
B	13.5	17	20.5	25	30.5	38	47	53.5	66	83	96.5	122.5
L	9	12.5	13	16.5	18	20	22.5	22.5	27	32	35	41

unit:mm

NPS	1/8"	1/4"	3/8"	1/2"	3/4"	1"	1-1/4"	1-1/2"	2"	2-1/2"	3"	4"
B	0.53	0.67	0.81	0.98	1.2	1.5	1.85	2.11	2.6	3.27	3.8	4.82
L	0.35	0.49	0.51	0.65	0.71	0.79	0.89	0.89	1.06	1.26	1.38	1.61

unit:in

Tolerance : ±0.5mm(1/8"~2")
±0.8mm(2-1/2"~4")

*ISO 4144

△			
△			
△			
Revise	Description	Date	Approve
DRAWING NO.		-15	

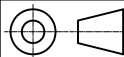
HAITIMA CORPORATION
P.O.BOX 34-36 TAIPEI
Tel:+886-2-26585800

E-mail:haitima@seed.net.tw
www.haitima.com.tw
TAIWAN R.O.C.
Fax:+886-2-26582266



HAITIMA CORPORATION

CHECK BY	DRAWING BY	DATE	SPECIFICATION	Half Coupling
	Yuan	Aug.17.2015	MATERIAL	304/316
			PROCESS/Nr.	
			UNIT / SCALE	mm



123-00