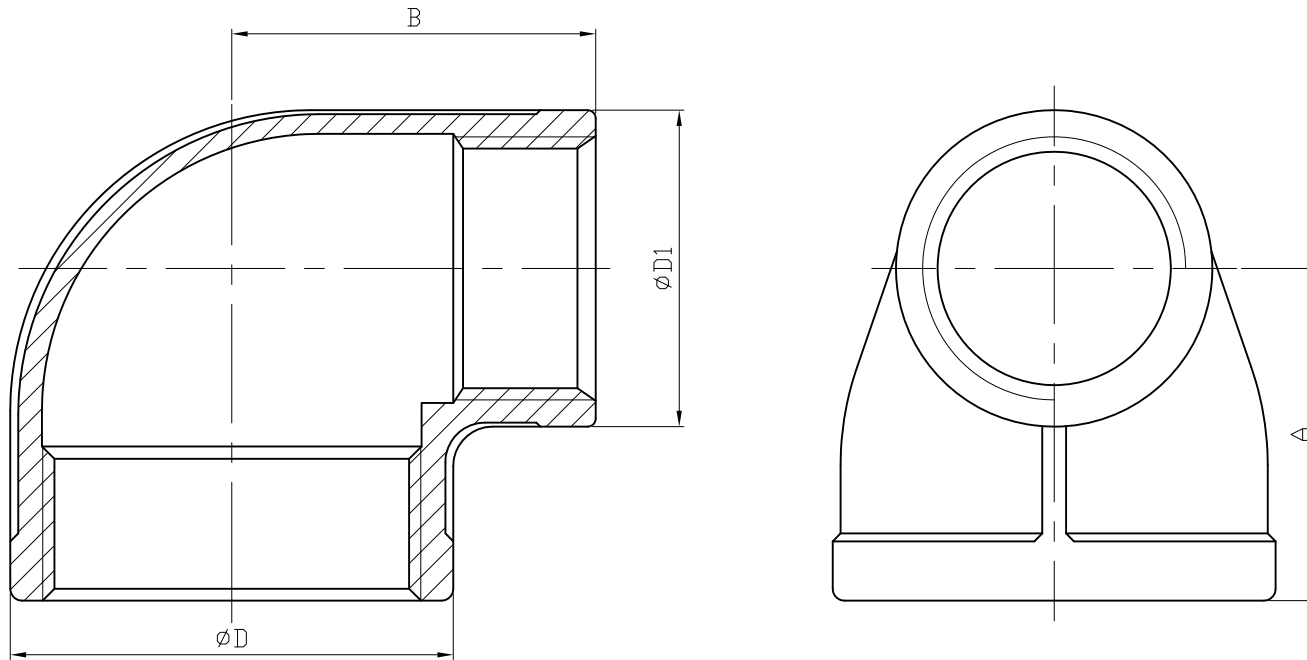


# 90° Reducing Elbow



0.1	±0.1	▽	Ra
0.2	±0.2	▽	
1.6	±1.6	▽	
6.3	±6.3	▽	
25	±25	▽	
0.5~5	±0.1	▽	
6~30	±0.2	▽	
31~120	±0.3	▽	
121~320	±0.5	▽	
321~1000	±0.8	▽	
GENERAL TOLERANCE			

HAITIMA CORPORATION  
 P.O.BOX 34-36 TAIPEI  
 Tel:+886-2-26585800  
 E-mail:haitima@seed.net.tw  
 www.haitima.com.tw  
 TAIWAN R.O.C.  
 Fax:+886-2-26582266

DN	8	10	15		20		25		32		40		50		65		80		100	
A	19	21	25	27	29	30	33	35	39	41	42	46	49	53	57	62	64	74	80	85
B	19	23	25	26	29	31	34	36	41	43	46	49	55	56	64	67	74	77	92	93
D	18	21.5	26.7	26.7	32	32	40	40	49.5	49.5	56	56	69	69	86	86	100	100	127	127
D1	15	18	18	21.5	21.5	26.7	26.7	32	32	40	40	49.5	49.5	56	56	69	69	86	86	100

unit:mm

NPS	1/4"	3/8"	1/2"		3/4"		1"		1-1/4"		1-1/2"		2"		2-1/2"		3"		4"	
A	0.75	0.83	0.98	1.06	1.14	1.18	1.3	1.38	1.54	1.61	1.65	1.81	1.93	2.09	2.24	2.44	2.52	2.91	3.15	3.35
B	0.75	0.91	0.98	1.02	1.14	1.22	1.34	1.42	1.61	1.69	1.81	1.93	2.17	2.2	2.52	2.64	2.91	3.03	3.62	3.66
D	0.71	0.85	1.05	1.05	1.26	1.26	1.57	1.57	1.95	1.95	2.2	2.2	2.72	2.72	3.39	3.39	3.94	3.94	5	5
D1	0.59	0.71	0.71	0.85	0.85	1.05	1.05	1.26	1.26	1.57	1.57	1.95	1.95	2.2	2.2	2.72	2.72	3.39	3.39	3.94

unit:in

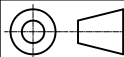
Tolerance : ±0.5mm(1/8"~2")  
 ±0.8mm(2-1/2"~4")

\*ISO 4144

△			
△			
△			
Revise	Description	Date	Approve
DRAWING NO.		-15	



CHECK BY	DRAWING BY	DATE	SPECIFICATION	90° Reducing Elbow
	Yuan	Aug.17.2015	MATERIAL	304/316
			PROCESS/Nr.	
			UNIT / SCALE	mm



130