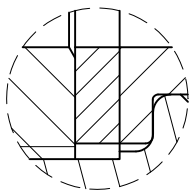
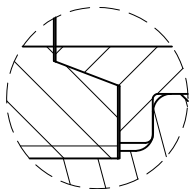


# Union M/M

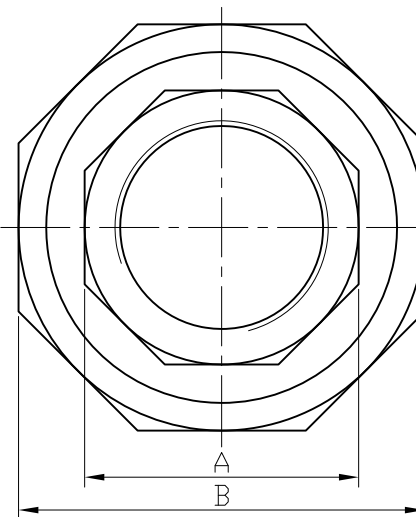
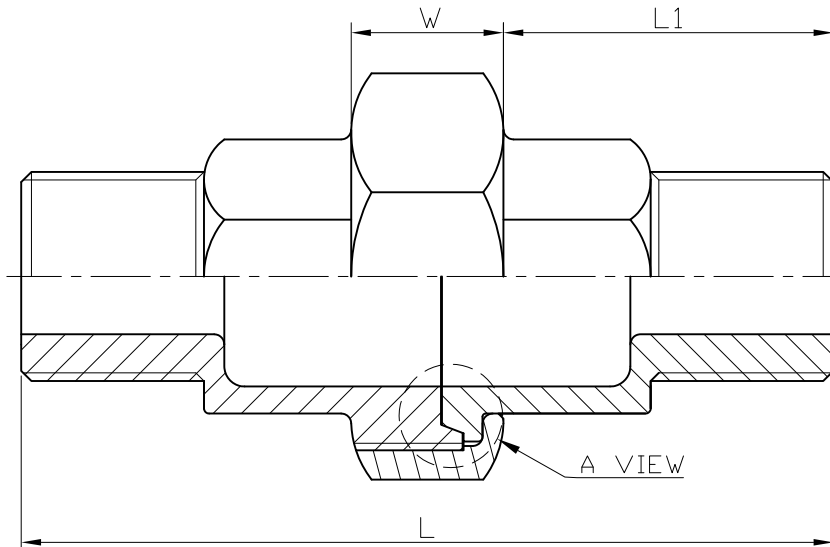
A VIEW



Flat Union



Conical Union  
With Conical Seat



1/8"~1/4" Hexagon  
3/8"~1" Octagon  
1-1/4"~4" Decagon

|    |    |      |    |      |    |      |     |     |      |     |      |     |
|----|----|------|----|------|----|------|-----|-----|------|-----|------|-----|
| DN | 6  | 8    | 10 | 15   | 20 | 25   | 32  | 40  | 50   | 65  | 80   | 100 |
| L  | 51 | 60   | 63 | 73   | 78 | 91   | 100 | 104 | 120  | 135 | 149  | 188 |
| L1 | 19 | 23   | 24 | 28   | 30 | 35   | 39  | 40  | 46   | 52  | 58   | 76  |
| A  | 14 | 17.5 | 21 | 25.5 | 31 | 38.5 | 48  | 54  | 66.5 | 83  | 96.5 | 123 |
| B  | 25 | 29.5 | 33 | 37   | 44 | 53   | 63  | 70  | 85   | 104 | 118  | 150 |
| W  | 14 | 15   | 16 | 17   | 18 | 21   | 23  | 25  | 28   | 31  | 33   | 36  |

unit:mm

|     |      |      |      |      |      |      |        |        |      |        |      |      |
|-----|------|------|------|------|------|------|--------|--------|------|--------|------|------|
| NPS | 1/8" | 1/4" | 3/8" | 1/2" | 3/4" | 1"   | 1-1/4" | 1-1/2" | 2"   | 2-1/2" | 3"   | 4"   |
| L   | 2.01 | 2.36 | 2.48 | 2.87 | 3.07 | 3.58 | 3.94   | 4.09   | 4.72 | 5.31   | 5.87 | 7.4  |
| L1  | 0.75 | 0.91 | 0.94 | 1.1  | 1.18 | 1.38 | 1.54   | 1.57   | 1.81 | 2.05   | 2.28 | 2.99 |
| A   | 0.55 | 0.69 | 0.83 | 1    | 1.22 | 1.52 | 1.89   | 2.13   | 2.62 | 3.27   | 3.8  | 4.84 |
| B   | 0.98 | 1.16 | 1.3  | 1.46 | 1.73 | 2.09 | 2.48   | 2.76   | 3.35 | 4.09   | 4.65 | 5.91 |
| W   | 0.55 | 0.59 | 0.63 | 0.67 | 0.71 | 0.83 | 0.91   | 0.98   | 1.1  | 1.22   | 1.3  | 1.42 |

unit:in

Tolerance :  $\pm 0.5\text{mm}$  (1/8"~2")  
 $\pm 0.8\text{mm}$  (2-1/2"~4")

\*ISO 4144

|             |             |      |         |
|-------------|-------------|------|---------|
|             |             |      |         |
|             |             |      |         |
|             |             |      |         |
| Revise      | Description | Date | Approve |
| DRAWING NO. |             | -15  |         |

HAITIMA CORPORATION  
P.O.BOX 34-36 TAIPEI  
Tel:+886-2-26585800  
E-mail:haitima@seed.net.tw  
www.haitima.com.tw  
TAIWAN R.O.C.  
Fax:+886-2-26582266



HAITIMA CORPORATION

|          |             |             |               |           |
|----------|-------------|-------------|---------------|-----------|
| CHECK BY | DRAWING BY  | DATE        | SPECIFICATION | Union M/M |
|          | <i>Juan</i> | Aug.17.2015 | MATERIAL      | 304/316   |
|          |             |             | PROCESS/Nr.   |           |
|          |             |             | UNIT / SCALE  | mm        |