

Item description/product images



Description

Material:

Stainless steel 1.4305.

Version:

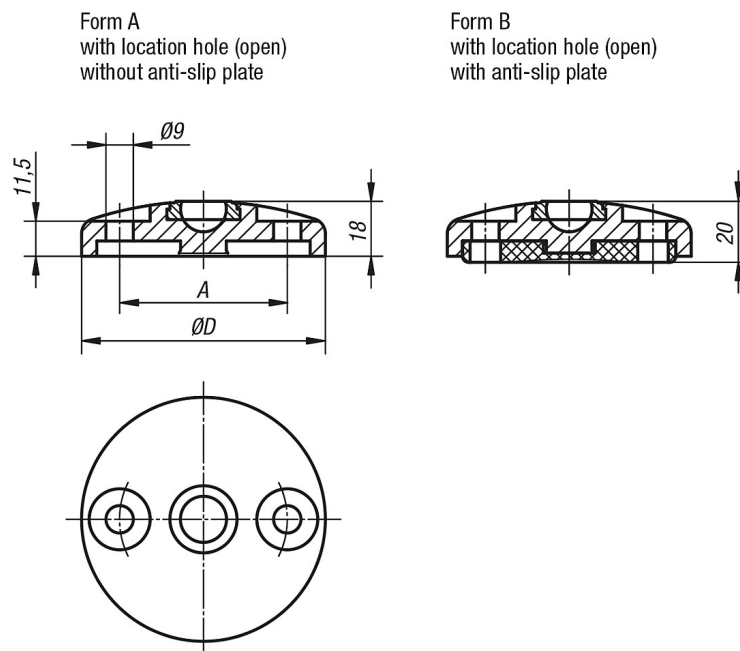
Plate bright.

Anti-slip plate thermoplastic elastomer.

Note:

Swivel feet consist of a plate and a threaded spindle or ball joint. Any plate can be combined with any spindle. The anti-slip plate absorbs vibration and prevents the swivel foot slipping. For suitable threaded spindles see article 50-68.

Drawings



Overview of items

Order No.	Form	A	D	Load rating max. kN
50-81-1	A	55	80	35
50-81-2	A	74	100	40
50-81-3	A	94	120	40
50-81-4	B	55	80	35
50-81-5	B	74	100	40
50-81-6	B	94	120	40