

Item description/product images



Description

Material:

Plate stainless steel 1.4305.
 Anti-slip plate thermoplastic elastomer.

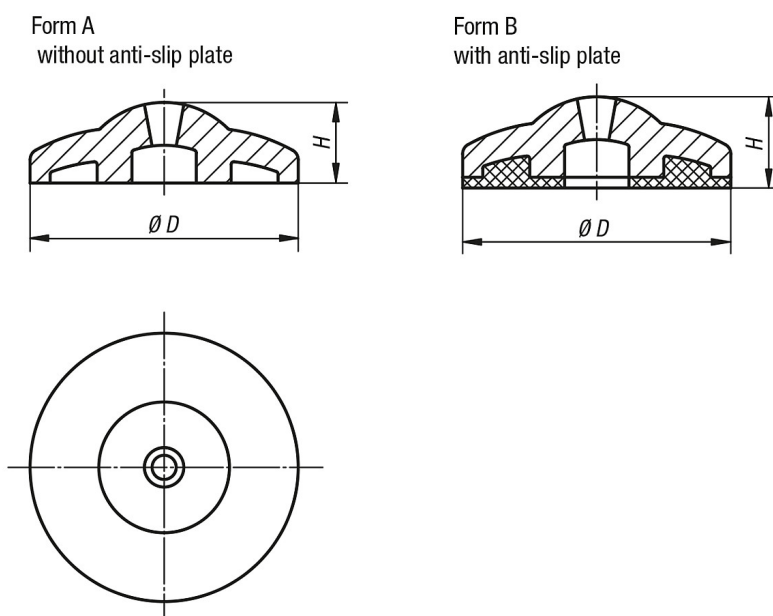
Version:

Bright.

Note:

ECO-Line levelling feet consist of a plate and a threaded spindle. Every plate can be used with any threaded spindle. The anti-slip plate absorbs vibration and prevents the levelling foot slipping. For suitable threaded spindles see article 50-71.

Drawings



Overview of items

Order No.	Form	D	H	Load rating max. kN
50-69-1	A	30	11,5	22
50-69-2	A	40	12	24
50-69-3	A	50	14,5	26
50-70-1	B	30	13,5	22
50-70-2	B	40	14,5	24
50-70-3	B	50	17,5	26