

## Item description/product images



## Description

**Material:**

Stainless steel 1.4305.

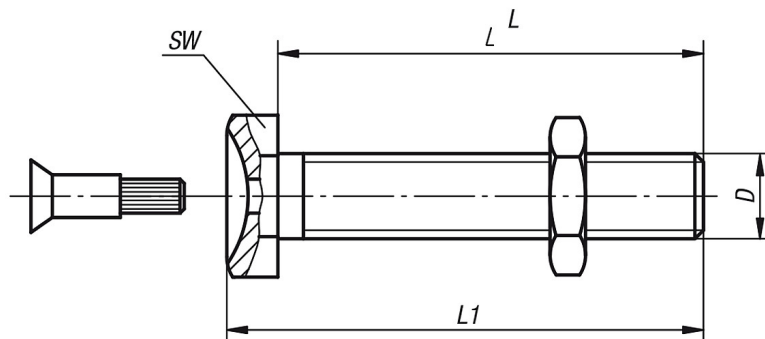
**Version:**

Bright.

**Note:**

ECO-Line levelling feet consist of a plate and a threaded spindle. Every plate can be used with any threaded spindle.

## Drawings



## Overview of items

Order No.	D	L	L1	SW	Load rating max. kN
50-71-1	M8	40	44,5	13	3,5
50-71-2	M8	50	54,5	13	3,5
50-71-3	M8	80	84,5	13	3,5
50-71-4	M8	100	104,5	13	3,5
50-71-5	M10	40	45	17	4,7
50-71-6	M10	50	55	17	4,7
50-71-7	M10	80	85	17	4,7
50-71-8	M10	100	105	17	4,7
50-71-9	M12	50	56	19	7,7
50-71-10	M12	80	86	19	7,7
50-71-11	M12	100	106	19	7,7
50-71-12	M12	120	126	19	7,7
50-71-13	M16	100	108,5	24	14,5
50-71-14	M16	150	158,5	24	14,5