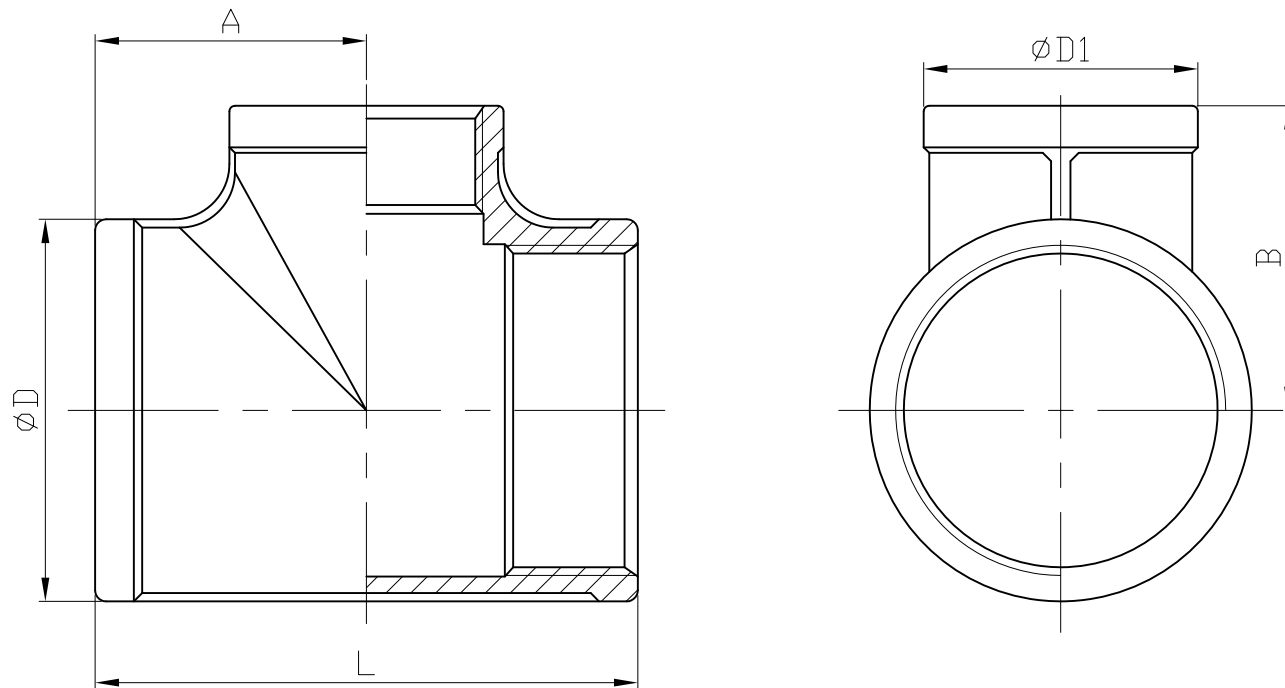


Reducing Tee



DN	8		10		15		20		25		32		40		50		65		80		100	
	6	8	8	10	10	15	15	20	20	25	25	32	32	40	40	50	50	65	65	65	80	
A	19	21	25	27	29	30	33	35	39	41	42	46	49	53	57	62	64	74	74	80	85	
B	19	23	25	26	29	31	34	36	41	43	46	49	55	56	64	67	74	77	92	93		
D	18	21.5	26.7	26.7	32	32	40	40	49.5	49.5	56	56	69	69	86	86	100	100	127	127		
D1	15	18	18	21.5	21.5	26.7	26.7	32	32	40	40	49.5	49.5	56	56	69	69	86	86	100		
L	38	42	50	54	58	60	66	70	78	82	84	92	98	106	114	124	128	148	160	170		

NPS	1/4"		3/8"		1/2"		3/4"		1"		1-1/4"		1-1/2"		2"		2-1/2"		3"		4"	
	1/8"	1/4"	1/4"	3/8"	3/8"	1/2"	1/2"	3/4"	3/4"	1"	1"	1-1/4"	1-1/4"	1-1/2"	1-1/2"	2"	2"	2-1/2"	2-1/2"	3"	3"	
A	0.75	0.83	0.98	1.06	1.14	1.18	1.3	1.38	1.54	1.61	1.65	1.81	1.93	2.09	2.24	2.44	2.52	2.91	2.91	3.15	3.35	
B	0.75	0.91	0.98	1.02	1.14	1.22	1.34	1.42	1.61	1.69	1.81	1.93	2.17	2.2	2.52	2.64	2.91	3.03	3.62	3.66		
D	0.71	0.85	1.05	1.05	1.26	1.26	1.57	1.57	1.95	1.95	2.2	2.2	2.72	2.72	3.39	3.39	3.94	3.94	5	5		
D1	0.59	0.71	0.71	0.85	0.85	1.05	1.05	1.26	1.26	1.57	1.57	1.95	1.95	2.2	2.2	2.72	2.72	3.39	3.39	3.94		
L	1.5	1.65	1.97	2.13	2.28	2.36	2.6	2.76	3.07	3.23	3.31	3.62	3.86	4.17	4.49	4.88	5.04	5.83	6.3	6.69		

unit:mm

unit:in

Tolerance : ±0.5mm(1/8"~2")
±0.8mm(2-1/2"~4")

*ISO 4144

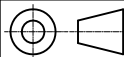
△			
△			
△			
Revise	Description	Date	Approve
DRAWING NO.		-15	

HAITIMA CORPORATION
P.O.BOX 34-36 TAIPEI
Tel:+886-2-26585800
E-mail:haitima@seed.net.tw
www.haitima.com.tw
TAIWAN R.O.C.
Fax:+886-2-26582266



HAITIMA CORPORATION

CHECK BY	DRAWING BY	DATE	SPECIFICATION	Reducing Tee
	Yuan	Aug.17.2015	MATERIAL	304/316
			PROCESS/Nr.	
			UNIT / SCALE	mm



144