

Item description/product images



Description

Material:

Plate stainless steel 1.4404.

Damping plate PUR elastomer (Sylomer V12).

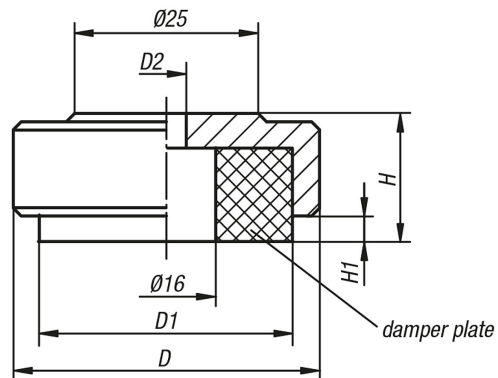
Version:

Plate electrolytic polished.

Damping plate grey, glued in, anti-slip.

Temp. range -30 °C to +70 °C.

Drawings



Overview of items

Order No.	D	D1	D2	H	Load capacity (under pressure of 0,4 N/mm ²)	
					H1 (under pressure of 0 / 0,4 / 0,6 N/mm ²)	N
50-82-1	36	30,5	5,5	15	4 / 2,8 / 1,9	212
50-82-2	46	40,5	6,6	17	4 / 2,8 / 1,9	435
50-82-3	56	50	9	19	4 / 2,8 / 1,9	705