

## Item description/product images



## Description

## Material:

Coupling stainless steel 1.4057.

Screws stainless steel 1.4301.

## Version:

Bright.

## Note:

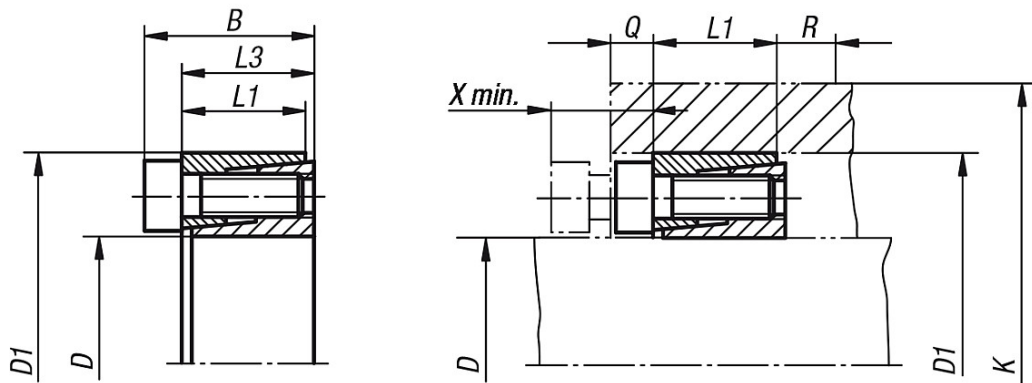
The keyless locking coupling form B is self-centring.

The minimum dimension "X" must be observed if the coupling should be dismantled without removing neighbouring parts.

The minimum value for "K" must be observed when the hub overlap  $Q \geq 0.5$  (K-D1) and  $R \geq 0.5$  (K-D1).

For further specifications see "Technical Information".

## Drawings



## Overview of items

Order No.	D	D1	B	L1	L3	Torque M Nm transmissible at tightening torque MS	Axial force F kN transmissible at tightening torque MS	Surface pressure on shaft P N/mm <sup>2</sup>	Surface pressure on hub P N/mm <sup>2</sup>
70-3-1	6	16	13,5	10,5	11	3	0,9	49	19
70-3-2	7	17	13,5	10,5	11	3	0,9	42	17
70-3-3	8	18	13,5	10,5	11	4	0,9	37	17
70-3-4	9	20	15,5	12,5	13	6	1,2	37	17
70-3-5	10	20	15,5	12,5	13	6	1,2	33	17
70-3-6	11	22	15,5	12,5	13	7	1,2	30	15
70-3-7	12	22	15,5	12,5	13	7	1,2	26	15
70-3-8	14	26	20	16,5	17	13	1,9	28	15
70-3-9	15	28	20	16,5	17	14	1,9	26	14
70-3-10	16	32	21	16,5	17	28	3,5	45	23
70-3-11	18	35	25	20	21	32	3,5	32	17
70-3-12	19	35	25	20	21	34	3,5	31	17
70-3-13	20	38	26	20	21	55	5,5	45	24

Order No.	Clamping screws DIN 912	Clamping screws tightening torque MS in Nm	Elasticity limit Re (N/mm <sup>2</sup> ) of the hub material 190 K min. mm	Elasticity limit Re (N/mm <sup>2</sup> ) of the hub material 320 K min. mm	Elasticity limit Re (N/mm <sup>2</sup> ) of the hub material 550 K min. mm	Elasticity limit Re (N/mm <sup>2</sup> ) of the hub material 600 K min. mm	X min. mm
70-3-1	M2,5	0,5	21	20	19	19	15
70-3-2	M2,5	0,5	22	21	20	20	15
70-3-3	M2,5	0,5	23	22	21	21	15

## Overview of items

Order No.	Clamping screws DIN 912	Clamping screws tightening torque MS in Nm	Elasticity limit Re (N/mm <sup>2</sup> ) of the hub material 190 K min. mm	Elasticity limit Re (N/mm <sup>2</sup> ) of the hub material 320 K min. mm	Elasticity limit Re (N/mm <sup>2</sup> ) of the hub material 550 K min. mm	Elasticity limit Re (N/mm <sup>2</sup> ) of the hub material 600 K min. mm	X min. mm
70-3-4	M2,5	0,5	25	24	23	23	20
70-3-5	M2,5	0,5	25	24	23	23	20
70-3-6	M2,5	0,5	27	26	25	25	20
70-3-7	M2,5	0,5	27	26	25	25	20
70-3-8	M3	0,9	33	31	30	30	25
70-3-9	M3	0,9	35	33	32	37	25
70-3-10	M4	2,2	43	39	37	37	25
70-3-11	M4	2,2	44	41	40	40	30
70-3-12	M4	2,2	44	41	40	40	30
70-3-13	M5	4,2	57	47	44	44	35