

Item description/product images



Description

Material, version:

Stainless steel 1.4305, bright.

Clamping screws stainless steel A2-70.

Note:

Zero backlash, torsionally rigid, flexural elastic and maintenance-free full metal coupling for transferring angular synchronous rotary movements. The innovative slotted structure allows for a very good axial, radial and angular flexibility with low restoring force.

Ideal for servo-motors.

Temperature range:

-50 °C to +150 °C.

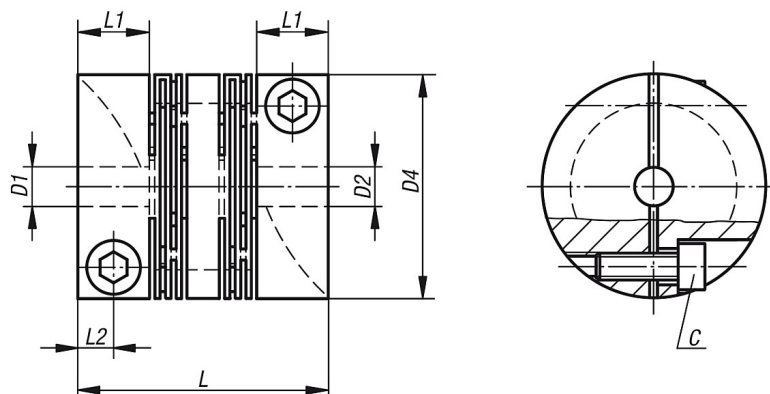
Assembly:

Recommended shaft tolerances h7.

On request:

List required hub bore D1 and D2 with limits or fits separately.

Drawings



Overview of items

Order No.	D1/D2 predrilled	D1/D2 min.	D1/D2 max.	D4	L	L1	L2	C (DIN 912)	Tightening torque of clamping screws (Nm)
70-101-1	2,5	3	6	16	23	7	3,5	M2,5x6	-
70-101-2	2,5	3	6	18	18	5,5	2,75	M2,5x8	-
70-101-3	2,5	3	8	20	28	8	4	M2,5x8	-
70-101-4	2,5	3	10	22	20	5,5	2,75	M2,5x8	-
70-101-5	3,5	6	12	25	28	8	4	M3x10	-
70-101-6	5,5	6	14	30	40	11	5,5	M4x10	2
70-101-7	5,5	6	18	40	48	11	5,5	M5x14	3,7
70-101-8	9,5	10	26	50	65	19	9,5	M6x16	6,4

Order No.	Size	Nominal torque Nm	Moment of inertia (10 kgm ²)	Torsion resistance Nm/arcmin	Max. axial shaft displacement ±	Max. lateral shaft displacement	Max. angular shaft displacement	Axial spring stiffness N/mm	Lateral spring stiffness N/mm	max. speed U/min
70-101-1	16	6	0,0025	0,23	0,3	0,2	1°	325	940	10.000
70-101-2	18	6	0,001	0,2	0,3	0,2	1°	98	435	10.000

Overview of items

Order No.	Size	Nominal torque Nm	Moment of inertia (10 kgm ²)	Torsion resistance Nm/arcmin	Max. axial shaft displacement ±	Max. lateral shaft displacement	Max. angular shaft displacement	Axial spring stiffness N/mm	Lateral spring stiffness N/mm	max. speed U/min
70-101-3	20	12	0,0032	0,23	0,3	0,2	1°	435	508	9.500
70-101-4	22	6	0,0024	0,9	0,3	0,2	1°	136	450	9.500
70-101-5	25	16	0,00784	1,45	0,3	0,2	1°	285	927	8.000
70-101-6	30	25	0,022	2,47	0,4	0,3	1°	400	903	6.000
70-101-7	40	36	0,09	5,82	0,4	0,3	1°	660	1.229	5.000
70-101-8	50	73	0,254	16	0,5	0,3	1°	950	1.619	5.000