

Item description/product images
 

---


**Description**
**Material, version:**

Stainless steel 1.4305, bright.

Clamping screws stainless steel A2-70.

**Note:**

Zero backlash, torsionally rigid, flexural elastic and maintenance-free full metal coupling for transferring angular synchronous rotary movements. The innovative slotted structure allows for a very good axial, radial and angular flexibility with low restoring force.

Ideal for servo-motors.

**Temperature range:**

-50 °C to +150 °C.

**Assembly:**

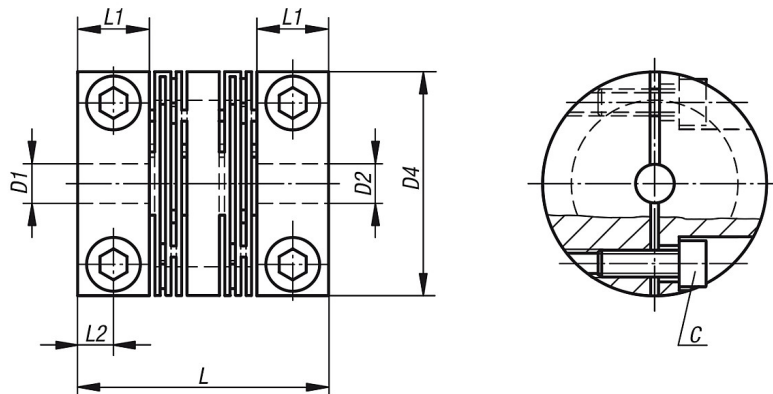
Recommended shaft tolerance h7.

**On request:**

List required hub bore D1 and D2 with limits or fits separately.

 Drawings
 

---


 Overview of items
 

---

Order No.	D1/D2 predrilled	D1/D2 min.	D1/D2 max.	D4	L	L1	L2	C (DIN 912)	Tightening torque Nm
70-102-1	5,5	6	12	25	28	8	4	M3x10	-
70-102-2	5,5	6	14	30	40	11	5,5	M4x10	2,0
70-102-3	5,5	6	18	40	48	11	5,5	M5x14	3,7
70-102-4	9,5	10	26	50	65	19	9,5	M6x16	6,4

Order No.	Size	Nominal torque Nm	Moment of inertia (10 <sup>-3</sup> kgm <sup>2</sup> )	Torsion resistance Nm/arcmin	Max. axial shaft displacement ±	Max. lateral shaft displacement	Max. angular shaft displacement	Axial spring stiffness N/mm	Lateral spring stiffness N/mm	max. speed U/min
70-102-1	25	16	0,00784	1,45	0,3	0,2	1°	285	927	8.000
70-102-2	30	25	0,022	2,47	0,4	0,3	1°	400	903	6.000
70-102-3	40	36	0,09	5,82	0,4	0,3	1°	660	1.229	5.000
70-102-4	50	73	0,254	16	0,5	0,3	1°	950	1.619	5.000

**Overview of items**

---