

Item description/product images


Description
Material:

Stainless steel 1.4305.

Clamping screw stainless steel A2-70.

Version:

Bright.

Note:

Rigid couplings transfer torsionally rigid rotational movement with zero backlash.

They are used where there is no shaft misalignment.

They are wear-free and maintenance-free.

Screw locks prevent screws loosening through vibration.

The transfer of the maximum rated torque can only be achieved by optimum assembly and correct shaft dimensions.

4000 RPM max.

Temperature range:

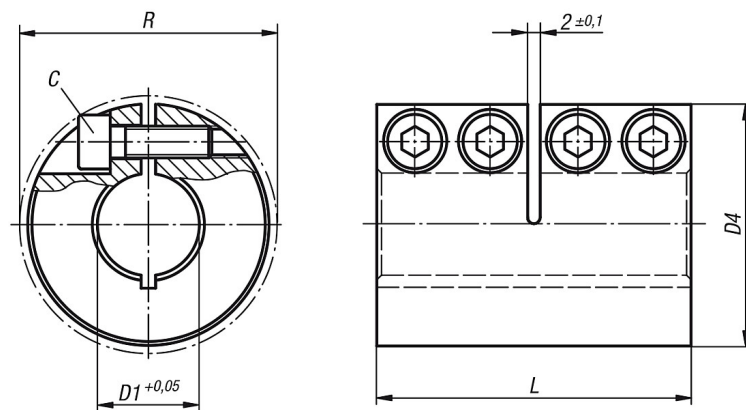
-40 °C to +175 °C

On request:

Other sizes.

With keyway DIN 6885/1, tolerance P9.

 Drawings


 Overview of items

Order No.	D1	D4	L	R	C (DIN 912)	Nominal torque Nm
70-103-1	10	29	45	32,7	M4x12	70
70-103-2	12	29	45	32,7	M4x12	70
70-103-3	14	34	50	39,4	M5x16	160
70-103-4	15	34	50	39,4	M5x16	160
70-103-5	16	34	50	39,4	M5x16	160
70-103-6	19	42	65	48,2	M6x18	260
70-103-7	20	42	65	48,2	M6x18	300
70-103-8	25	45	75	50,8	M6x18	325
70-103-9	30	53	83	58,6	M6x18	400

Overview of items
