

Item description/product images



Description

Material:

Gunmetal CuSn7Zn4Pb7

Version:

Bright.

Note:

For slow to medium travel.

Gunmetal CuSn7Zn4Pb7 has good short term bearing properties should the normal lubrication fail.

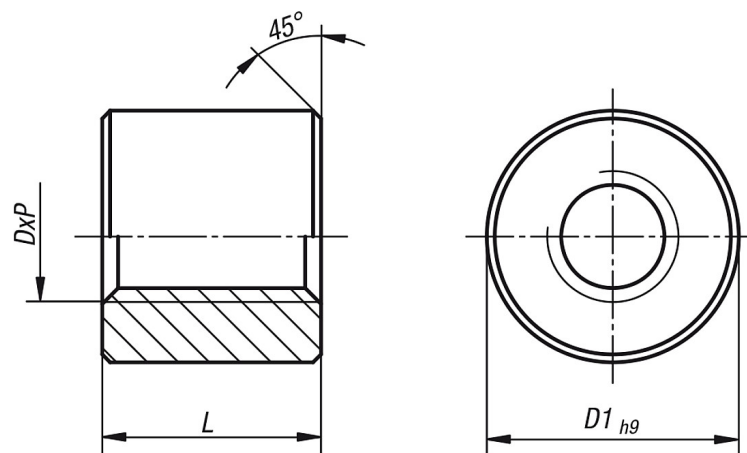
Tolerant to sea water.

Tolerance class 7H.

On request:

LH thread

Drawings



Overview of items

Order No.	D x P	D1	L	Static load rating N	Surface bearing portion mm ²	Approx. weight kg
70-13-1	Tr 10x2	22	20	2.827	352	0,061
70-13-2	Tr 12x3	26	24	3.958	567	0,095
70-13-3	Tr 16x4	36	32	7.037	768	0,27
70-13-4	Tr 20x4	45	40	11.309	1.242	0,523
70-13-5	Tr 24x5	50	48	16.210	1.484	0,627
70-13-6	Tr 26x5	50	48	18.260	1.696	0,7
70-13-7	Tr 30x6	60	60	25.446	1.948	1,017