

Item description/product images



Description

Material:

Stainless steel 1.4404

Surface polished.

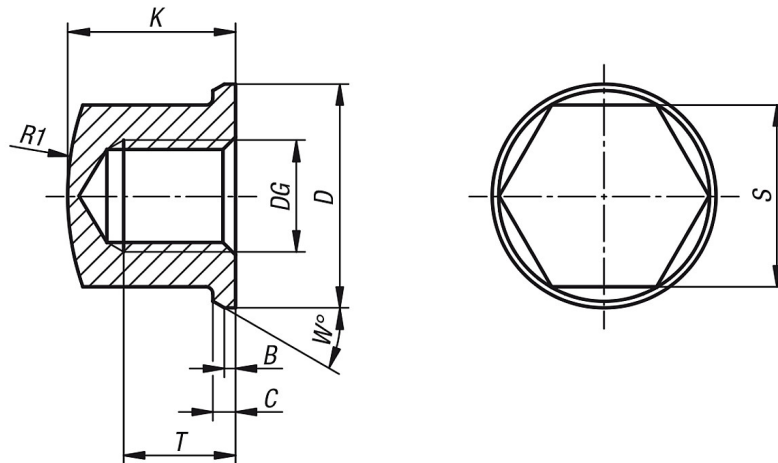
Note:

The surface of the cap nut is polished and, with regard to design optimised for the use in hygienic environments. The top of the nut is spherical and the collar has a conical formed top surface. The nut has been designed as a low version so as to keep troublesome corners as few as possible.

On request:

Inch threads, high versions.

Drawings



Overview of items

Order No.	DG	D	B	C	W	K	S	R1	T
80-150-1	M3	6,8	0,25	0,5	20	4,95	5,5	8,8	3
80-150-2	M4	9	0,3	0,8	30	6,5	7	10	4
80-150-3	M5	10	0,5	1	30	7	8	16	4
80-150-4	M6	12	0,8	1	30	9	10	16	6
80-150-5	M8	16	0,8	1,6	30	12	13	20	8
80-150-6	M10	20	1	2	30	14	16	32	10
80-150-7	M12	24	1	2,5	30	16	19	35	11