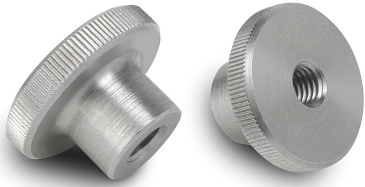


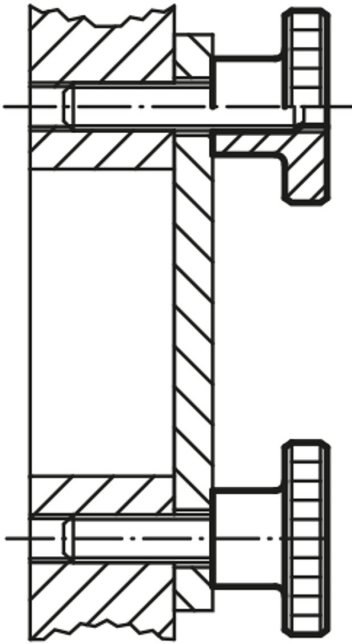
Item description/product images



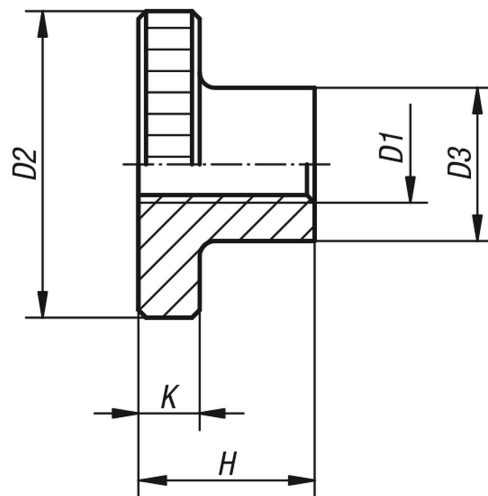
Description

Material:
Stainless steel 1.4305.

Version:
Bright.



Drawings



Overview of items

Order No.	D1	D2	D3	H	K
80-25-1	M4	16	8	9,5	3,5

Overview of items

Order No.	D1	D2	D3	H	K
80-25-2	M5	20	10	11,5	4
80-25-3	M6	24	12	15	5
80-25-4	M8	30	16	18	6
80-25-5	M10	36	20	23	8