

## Item description/product images



## Description

**Material:**

Screw stainless steel 1.4404.

Locking washer 1.4404.

Surface polished.

**Note:**

Narrow shaft bolts are preferably secured against unintentional loss with a retaining element. This satisfies the EU standard 2006/42/EG. With the optionally available Novonox retaining washer the bolt is permanently combined with the component before screwing in. The washer is screwed over the threaded section and can then move freely on the narrow shaft. The shaft is not damaged by e.g. notching caused by a spring effect. By manual operation it is not possible that the washer screws itself out again. However, by careful manipulation the washer can be removed from the bolt without damaging either.

The surface of the hexagon head bolt is polished and, with regard to design optimised for the use in hygienic environments. The bolt head is convex on the top face and the collar has a conical formed top surface. Instead of troublesome embossing or indentations, the bolt head is smooth with a surface finish of less than  $Ra\ 0.8\ \mu m$ . Dirt and residue from products or cleaners seldom adheres and easy cleaning is ensured.

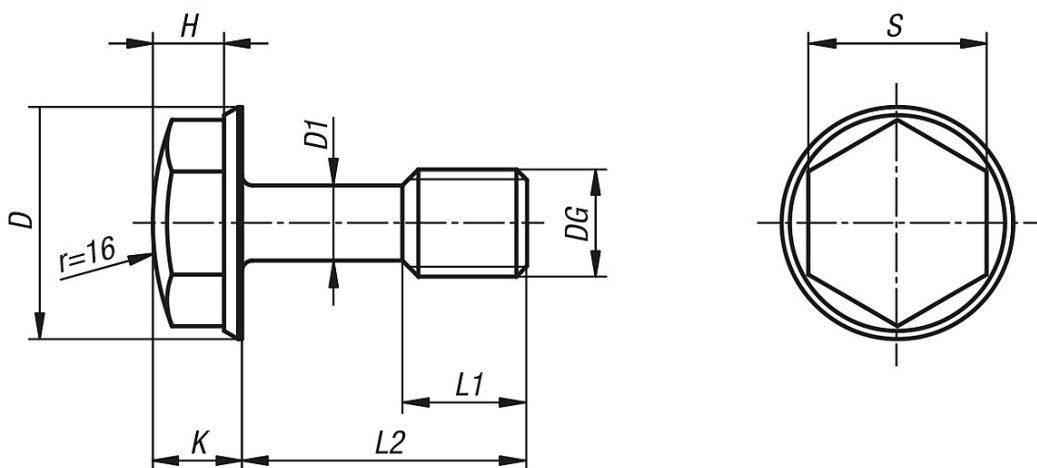
**On request:**

Inch threads, thread lengths, shaft lengths

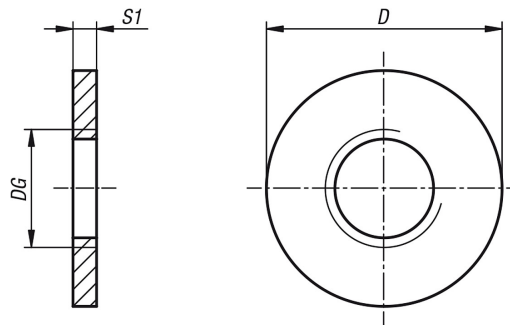
**Accessory:**

Locking washer 80-141.

## Drawings



## Drawings



## Overview of items

Order No.	Article description	DG	D	D1	H	S	K	L1	L2
80-140-1	Screw narrow shaft M3x6 1.4404 polished	M3	7	2,1	3	5,5	3,8	4,5	6
80-140-2	Screw narrow shaft M3x8 1.4404 polished	M3	7	2,1	3	5,5	3,8	4,5	8
80-140-3	Screw narrow shaft M3x10 1.4404 polished	M3	7	2,1	3	5,5	3,8	4,5	10
80-140-4	Screw narrow shaft M3x12 1.4404 polished	M3	7	2,1	3	5,5	3,8	4,5	12
80-140-5	Screw narrow shaft M4x6 1.4404 polished	M4	9,2	3,1	3	7	4	5	6
80-140-6	Screw narrow shaft M4x8 1.4404 polished	M4	9,2	3,1	3	7	4	5	8
80-140-7	Screw narrow shaft M4x10 1.4404 polished	M4	9,2	3,1	3	7	4	5	10
80-140-8	Screw narrow shaft M4x12 1.4404 polished	M4	9,2	3,1	3	7	4	5	12
80-140-9	Screw narrow shaft M4x16 1.4404 polished	M4	9,2	3,1	3	7	4	5	16
80-140-10	Screw narrow shaft M4x20 1.4404 polished	M4	9,2	3,1	3	7	4	5	20
80-140-11	Screw narrow shaft M5x8 1.4404 polished	M5	10,5	3,7	3,7	8	4,7	6	8
80-140-12	Screw narrow shaft M5x10 1.4404 polished	M5	10,5	3,7	3,7	8	4,7	6	10
80-140-13	Screw narrow shaft M5x12 1.4404 polished	M5	10,5	3,7	3,7	8	4,7	6	12
80-140-14	Screw narrow shaft M5x16 1.4404 polished	M5	10,5	3,7	3,7	8	4,7	6	16
80-140-15	Screw narrow shaft M5x20 1.4404 polished	M5	10,5	3,7	3,7	8	4,7	6	20
80-140-16	Screw narrow shaft M5x25 1.4404 polished	M5	10,5	3,7	3,7	8	4,7	6	25
80-140-17	Screw narrow shaft M6x8 1.4404 polished	M6	13	4,2	4	10	5	7	8
80-140-18	Screw narrow shaft M6x10 1.4404 polished	M6	13	4,2	4	10	5	7	10
80-140-19	Screw narrow shaft M6x12 1.4404 polished	M6	13	4,2	4	10	5	7	12
80-140-20	Screw narrow shaft M6x16 1.4404 polished	M6	13	4,2	4	10	5	7	16
80-140-21	Screw narrow shaft M6x20 1.4404 polished	M6	13	4,2	4	10	5	7	20
80-140-22	Screw narrow shaft M6x25 1.4404 polished	M6	13	4,2	4	10	5	7	25
80-140-23	Screw narrow shaft M6x30 1.4404 polished	M6	13	4,2	4	10	5	7	30
80-140-24	Screw narrow shaft M6x35 1.4404 polished	M6	13	4,2	4	10	5	7	35
80-140-25	Screw narrow shaft M6x40 1.4404 polished	M6	13	4,2	4	10	5	7	40
80-140-26	Screw narrow shaft M6x45 1.4404 polished	M6	13	4,2	4	10	5	7	45
80-140-27	Screw narrow shaft M6x50 1.4404 polished	M6	13	4,2	4	10	5	7	50
80-140-28	Screw narrow shaft M6x60 1.4404 polished	M6	13	4,2	4	10	5	7	60
80-140-29	Screw narrow shaft M8x12 1.4404 polished	M8	16,8	6	5,5	13	6,5	9	12
80-140-30	Screw narrow shaft M8x14 1.4404 polished	M8	16,8	6	5,5	13	6,5	9	14
80-140-31	Screw narrow shaft M8x16 1.4404 polished	M8	16,8	6	5,5	13	6,5	9	16
80-140-32	Screw narrow shaft M8x20 1.4404 polished	M8	16,8	6	5,5	13	6,5	9	20
80-140-33	Screw narrow shaft M8x25 1.4404 polished	M8	16,8	6	5,5	13	6,5	9	25
80-140-34	Screw narrow shaft M8x30 1.4404 polished	M8	16,8	6	5,5	13	6,5	9	30
80-140-35	Screw narrow shaft M8x35 1.4404 polished	M8	16,8	6	5,5	13	6,5	9	35
80-140-36	Screw narrow shaft M8x40 1.4404 polished	M8	16,8	6	5,5	13	6,5	9	40
80-140-37	Screw narrow shaft M8x45 1.4404 polished	M8	16,8	6	5,5	13	6,5	9	45
80-140-38	Screw narrow shaft M8x50 1.4404 polished	M8	16,8	6	5,5	13	6,5	9	50
80-140-39	Screw narrow shaft M8x55 1.4404 polished	M8	16,8	6	5,5	13	6,5	9	55
80-140-40	Screw narrow shaft M8x60 1.4404 polished	M8	16,8	6	5,5	13	6,5	9	60
80-140-41	Screw narrow shaft M8x65 1.4404 polished	M8	16,8	6	5,5	13	6,5	9	65
80-140-42	Screw narrow shaft M8x70 1.4404 polished	M8	16,8	6	5,5	13	6,5	9	70
80-140-43	Screw narrow shaft M10x20 1.4404 polished	M10	20,6	7,7	7,3	16	8,3	12	20
80-140-44	Screw narrow shaft M10x25 1.4404 polished	M10	20,6	7,7	7,3	16	8,3	12	25
80-140-45	Screw narrow shaft M10x30 1.4404 polished	M10	20,6	7,7	7,3	16	8,3	12	30
80-140-46	Screw narrow shaft M10x35 1.4404 polished	M10	20,6	7,7	7,3	16	8,3	12	35

**Overview of items**


---

Order No.	Article description	DG	D	D1	H	S	K	L1	L2
80-140-47	Screw narrow shaft M10x40 1.4404 polished	M10	20,6	7,7	7,3	16	8,3	12	40
80-140-48	Screw narrow shaft M10x45 1.4404 polished	M10	20,6	7,7	7,3	16	8,3	12	45
80-140-49	Screw narrow shaft M10x50 1.4404 polished	M10	20,6	7,7	7,3	16	8,3	12	50
80-140-50	Screw narrow shaft M10x55 1.4404 polished	M10	20,6	7,7	7,3	16	8,3	12	55
80-140-51	Screw narrow shaft M10x60 1.4404 polished	M10	20,6	7,7	7,3	16	8,3	12	60
80-140-52	Screw narrow shaft M10x65 1.4404 polished	M10	20,6	7,7	7,3	16	8,3	12	65
80-140-53	Screw narrow shaft M10x70 1.4404 polished	M10	20,6	7,7	7,3	16	8,3	12	70
80-140-54	Screw narrow shaft M10x75 1.4404 polished	M10	20,6	7,7	7,3	16	8,3	12	75
80-140-55	Screw narrow shaft M10x80 1.4404 polished	M10	20,6	7,7	7,3	16	8,3	12	80

Order No.	Article description	DG	D	S1
80-141-1	Locking washer for narrow shaft screw M3 1.4404 not polished	M3	6	1,5
80-141-2	Locking washer for narrow shaft screw M4 1.4404 not polished	M4	8	1,5
80-141-3	Locking washer for narrow shaft screw M5 1.4404 not polished	M5	10	1,5
80-141-4	Locking washer for narrow shaft screw M6 1.4404 not polished	M6	12	1,5
80-141-5	Locking washer for narrow shaft screw M8 1.4404 not polished	M8	16	2
80-141-6	Locking washer for narrow shaft screw M10 1.4404 not polished	M10	20	2