

Item description/product images



Description

Material:

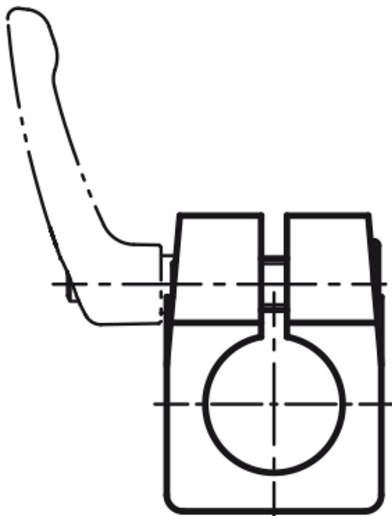
Clamp stainless steel 1.4301.
Lever investment cast stainless 1.4308.

Version:

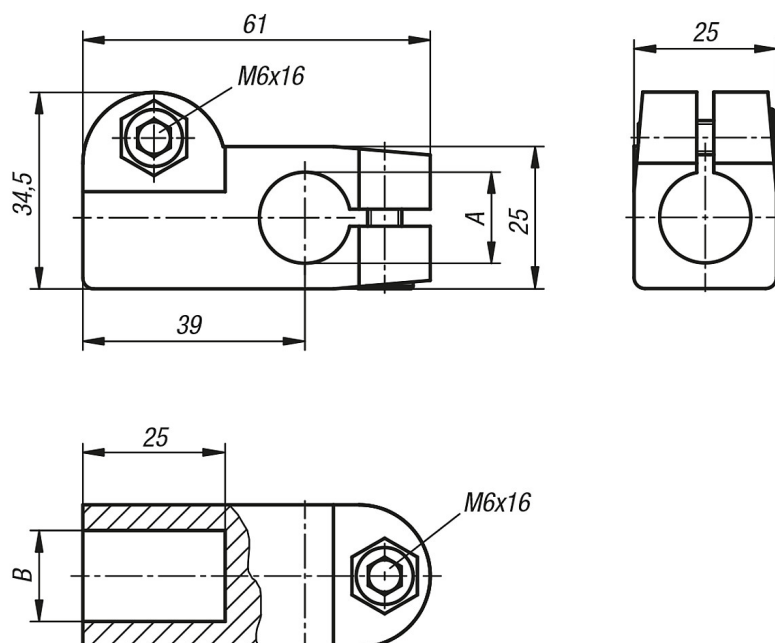
Matt polished.

Note:

Can also be used with weak aggressive alkali.
Suitable tubes see 90-105.
Suitable clamping lever 30-53-9000.



Drawings



Overview of items

Order No.	A	B
90-3-1	12	12
90-3-2	14	14
90-3-3	16	16
90-3-4	18	18
90-3-5	20	20

Order No.	Version	A	B
90-4-1	with matching clamp lever	12	12
90-4-2	with matching clamp lever	14	14
90-4-3	with matching clamp lever	16	16
90-4-4	with matching clamp lever	18	18
90-4-5	with matching clamp lever	20	20