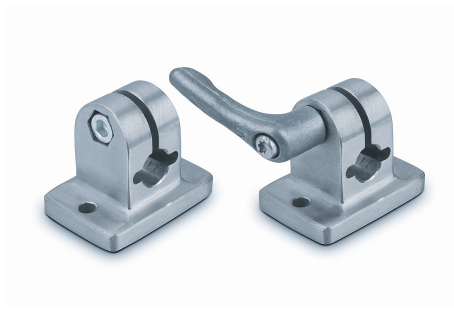


Item description/product images



Description

Material:

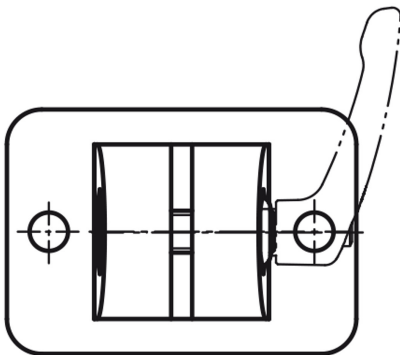
Clamp stainless steel 1.4301.
 Lever investment cast stainless 1.4308.

Version:

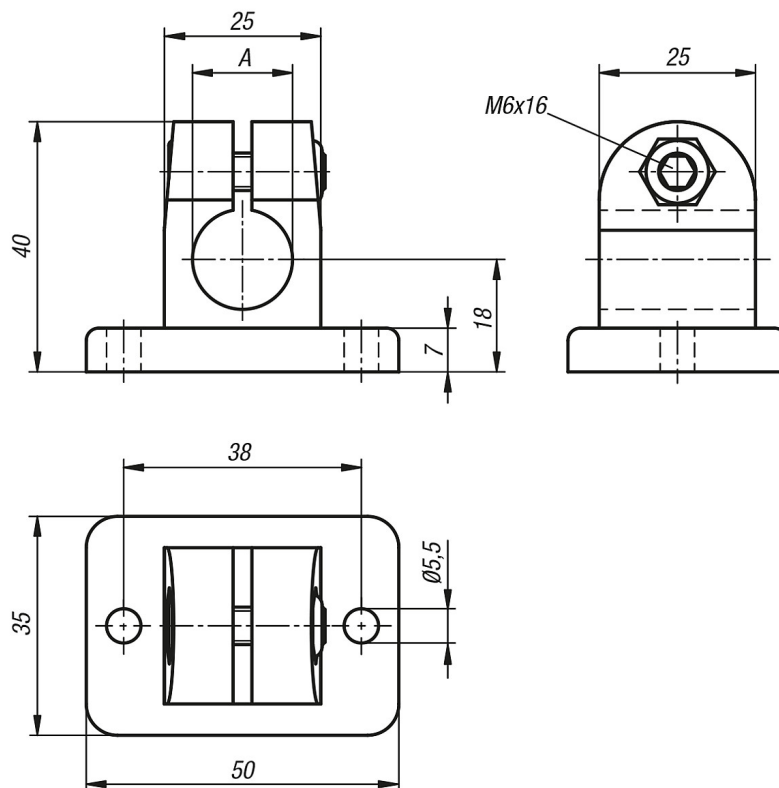
Matt polished.

Note:

Can also be used with weak aggressive alkali.
 Suitable tubes see 90-105.
 Suitable clamping lever 30-53-9000.



Drawings



Overview of items

Order No.	A
90-5-1	12

Overview of items

Order No.	A
90-5-2	14
90-5-3	16
90-5-4	18
90-5-5	20

Order No.	Version	A
90-6-1	with matching clamp lever	12
90-6-2	with matching clamp lever	14
90-6-3	with matching clamp lever	16
90-6-4	with matching clamp lever	18
90-6-5	with matching clamp lever	20