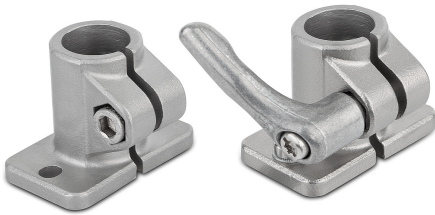


Item description/product images



Description

Material:

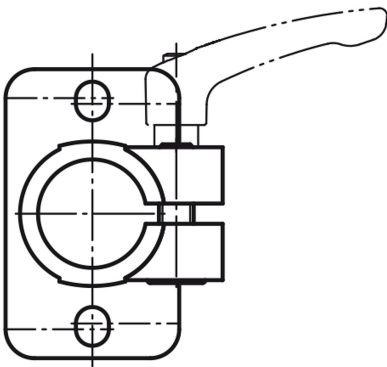
Clamp stainless steel 1.4301.
Lever investment cast stainless 1.4308.

Version:

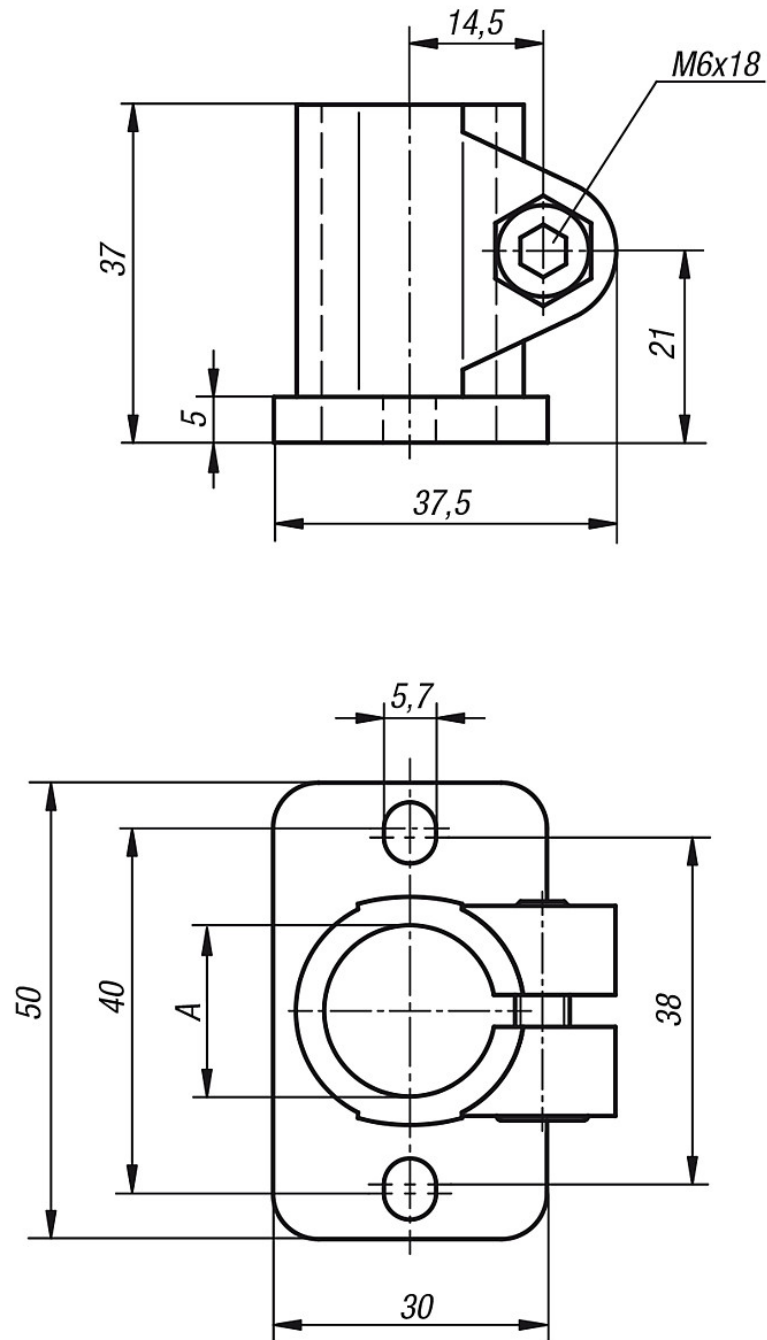
Surface shot-blasted.

Note:

Can also be used with weak aggressive alkali.
Suitable tubes see 90-105.
Suitable clamping lever 30-53-9000.



Drawings



Overview of items

Order No.	A
90-103-1	12,1
90-103-2	14,1
90-103-3	16,1
90-103-4	18,1

Order No.	Version	A
90-113-1	with matching clamp lever	12,1
90-113-2	with matching clamp lever	14,1

Overview of items

Order No.	Version	A
90-113-3	with matching clamp lever	16,1
90-113-4	with matching clamp lever	18,1