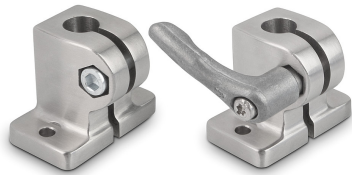


Item description/product images



Description

Material:

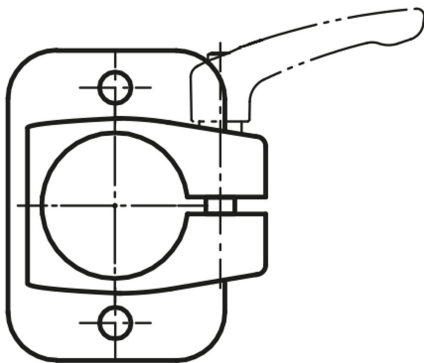
Clamp stainless steel 1.4301.
Lever investment cast stainless 1.4308.

Version:

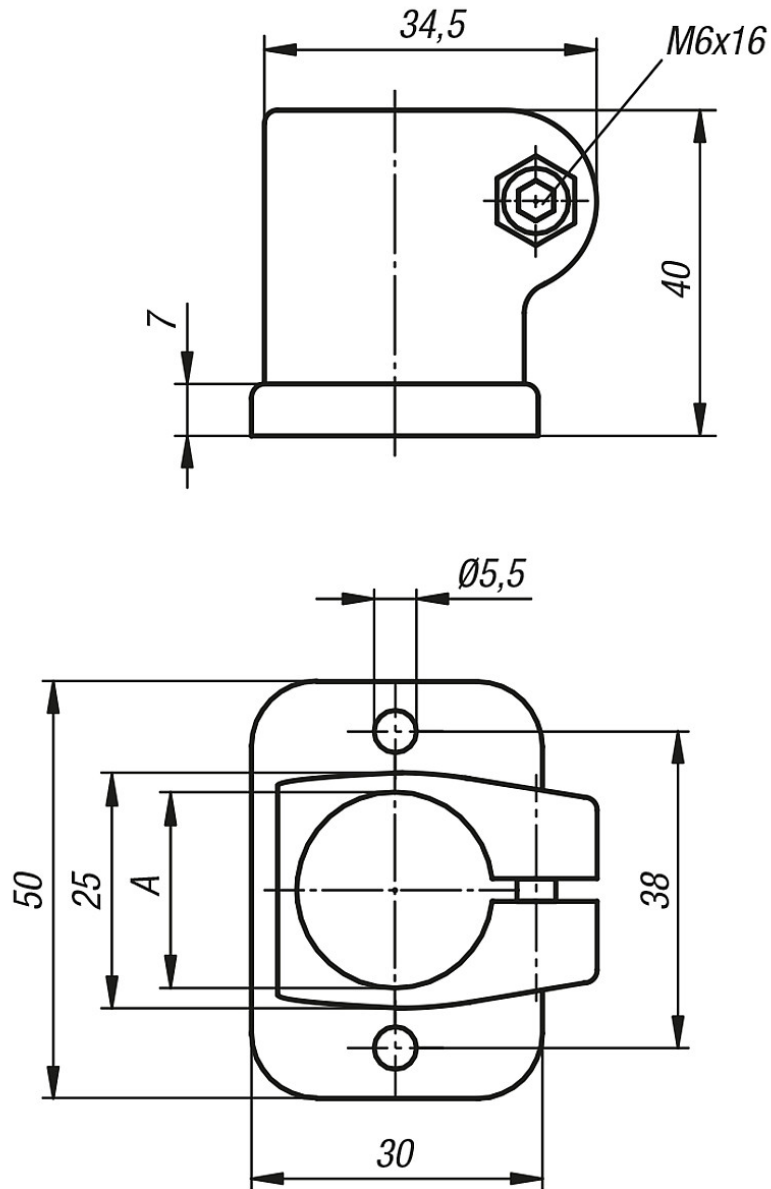
Matt polished.

Note:

Can also be used with weak aggressive alkali.
Suitable tubes see 90-105.
Suitable clamping lever 30-53-9000.



Drawings



Overview of items

Order No.	A
90-7-1	12
90-7-2	14
90-7-3	16
90-7-4	18
90-7-5	20

Order No.	Version	A
90-8-1	with matching clamp lever	12
90-8-2	with matching clamp lever	14
90-8-3	with matching clamp lever	16
90-8-4	with matching clamp lever	18
90-8-5	with matching clamp lever	20

Overview of items
