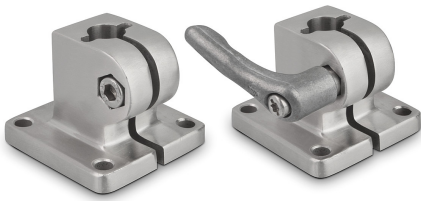


Item description/product images



Description

Material:

Steel parts stainless steel 1.4301.

Lever investment cast stainless steel 1.4308.

Version:

Matt polished.

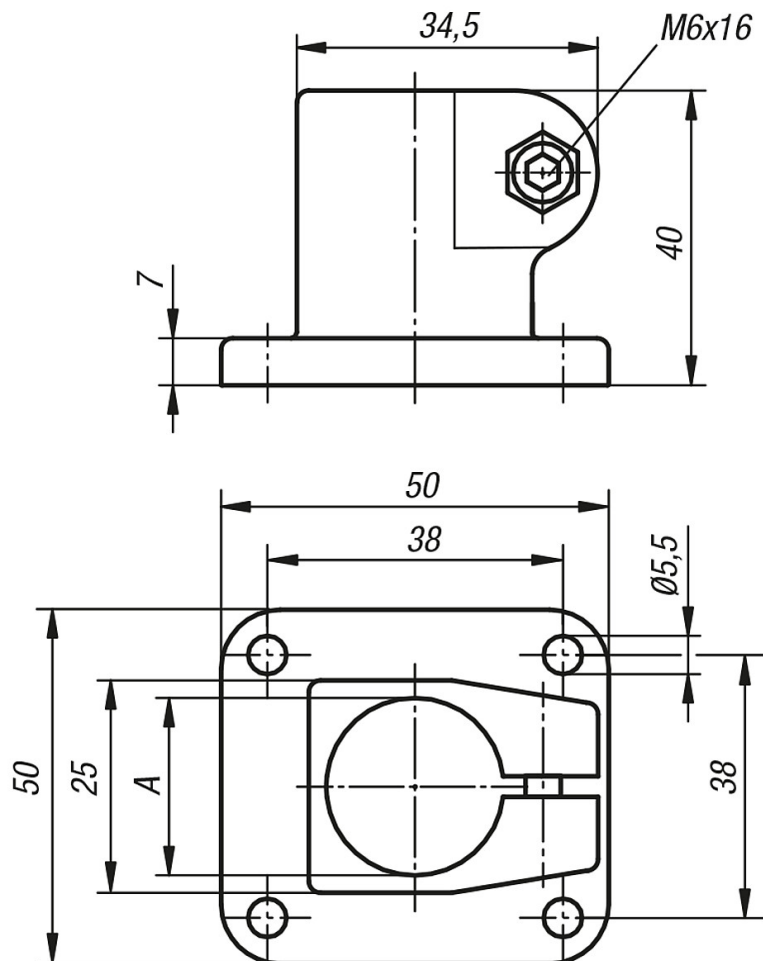
Note:

Can also be used with weak aggressive alkali.

Suitable tubes see 90-105.

Suitable clamping lever 30-53-9000.

Drawings



Overview of items

Order No.	A
90-9-1	12
90-9-2	14
90-9-3	16
90-9-4	18

Overview of items

Order No.	A
90-9-5	20

Order No.	Version	A
90-10-1	with matching clamp lever	12
90-10-2	with matching clamp lever	14
90-10-3	with matching clamp lever	16
90-10-4	with matching clamp lever	18
90-10-5	with matching clamp lever	20