

Item description/product images



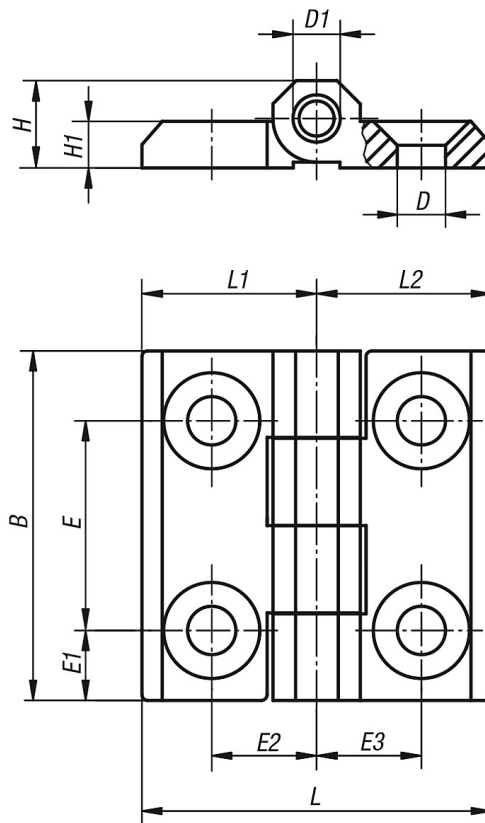
**Description**

**Material:**  
Stainless steel 1.4401.

**Version:**  
Bright.  
The surface of the hinges is polished to a satin finish.

**Note:**  
A hinge for extreme loading.  
Right or left mounting.  
Opening angle 270°.  
Fastening with countersunk head screws i.e. DIN 7991.

Drawings



Overview of items

Order No.	B	D	D1	E	E1	E2	E3	H	H1	L	L1	L2	Load capacity N
100-5-1	40	5,2	4	25	7,5	12,5	12,5	9	5	40	20	20	2.500
100-5-2	50	6,2	6	30	10	15	15	11,5	6	50	25	25	5.000
100-5-3	60	8,3	8	36	12	18	18	15	8	60	30	30	8.000
100-5-4	50	6,5	6	30	10	28	15	11,5	6	63	38	25	5.000
100-5-6	50	6,5	6	30	10	28	28	11,5	6	76	38	38	5.000

# 100-5

## Screw-on hinges

### Overview of items

---