

Item description/product images



Description

Material:

Hinge and pin stainless steel 1.4401.

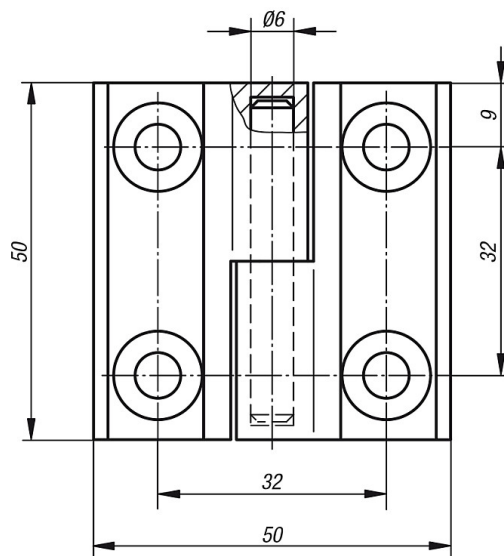
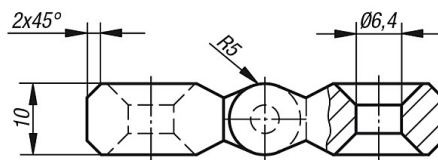
Version:

Satin finished.

Note:

This double symmetry hinge can be mounted right or left.
The opening angle is max. 125°.

Drawings



Overview of items

Order No.	Dimensions	Load capacity N
100-52-1	siehe Zeichnung	5.000