

Item description/product images



Description

Material:

Hinge stainless steel 1.4401.

Pin stainless steel 1.4104.

Version:

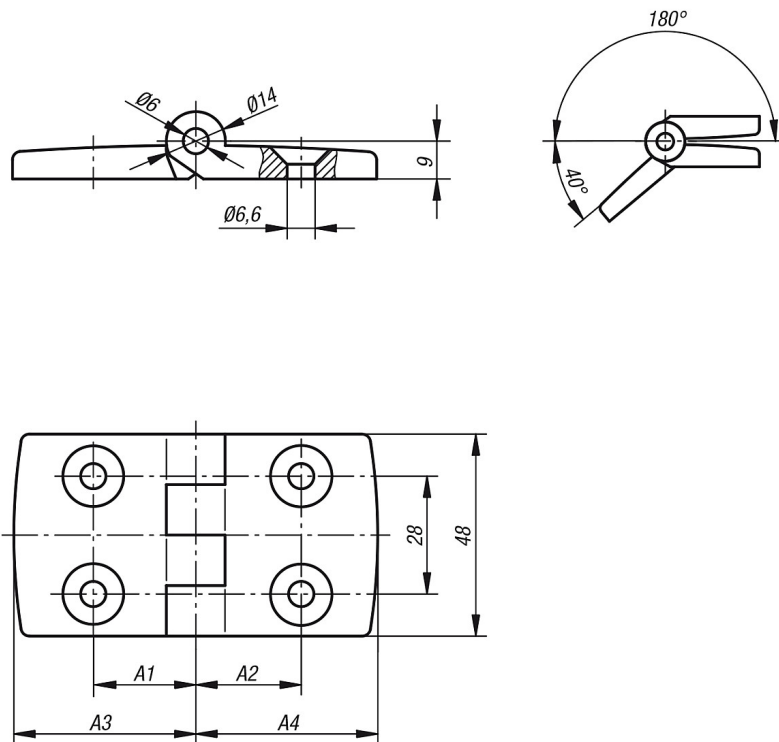
High-gloss polished.

Note:

Fixed hinge for surface elements and aluminium profiles. Pin end closed.

Countersunk holes to minimize dirt accumulation.

Drawings



Overview of items

Order No.	A1	A2	A3	A4	Load capacity N
100-54-1	15	15	26	26	5.000
100-54-2	17,5	17,5	29,5	29,5	5.000
100-54-3	22,5	22,5	38,5	38,5	5.000
100-54-4	25	25	43,5	43,5	5.000
100-54-5	32,5	32,5	57,5	57,5	5.000