

Item description/product images



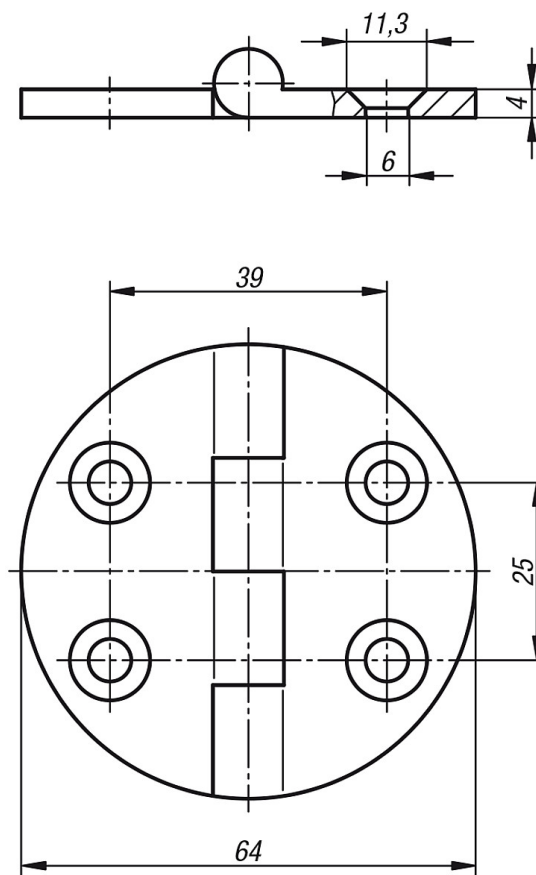
**Description**

**Material:**  
Stainless steel 1.4401.

**Version:**  
High-gloss polished.

**Note:**  
Round screw-on hinge. Saltwater- and acid-resistant. The opening angle is 270°.

Drawings



Overview of items

Order No.	Dimensions	Approx. weight kg
100-26-1	see drawing	0,1