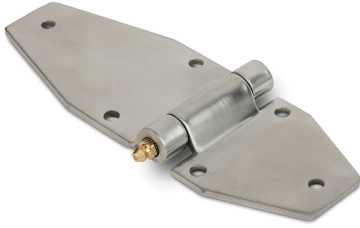


Item description/product images



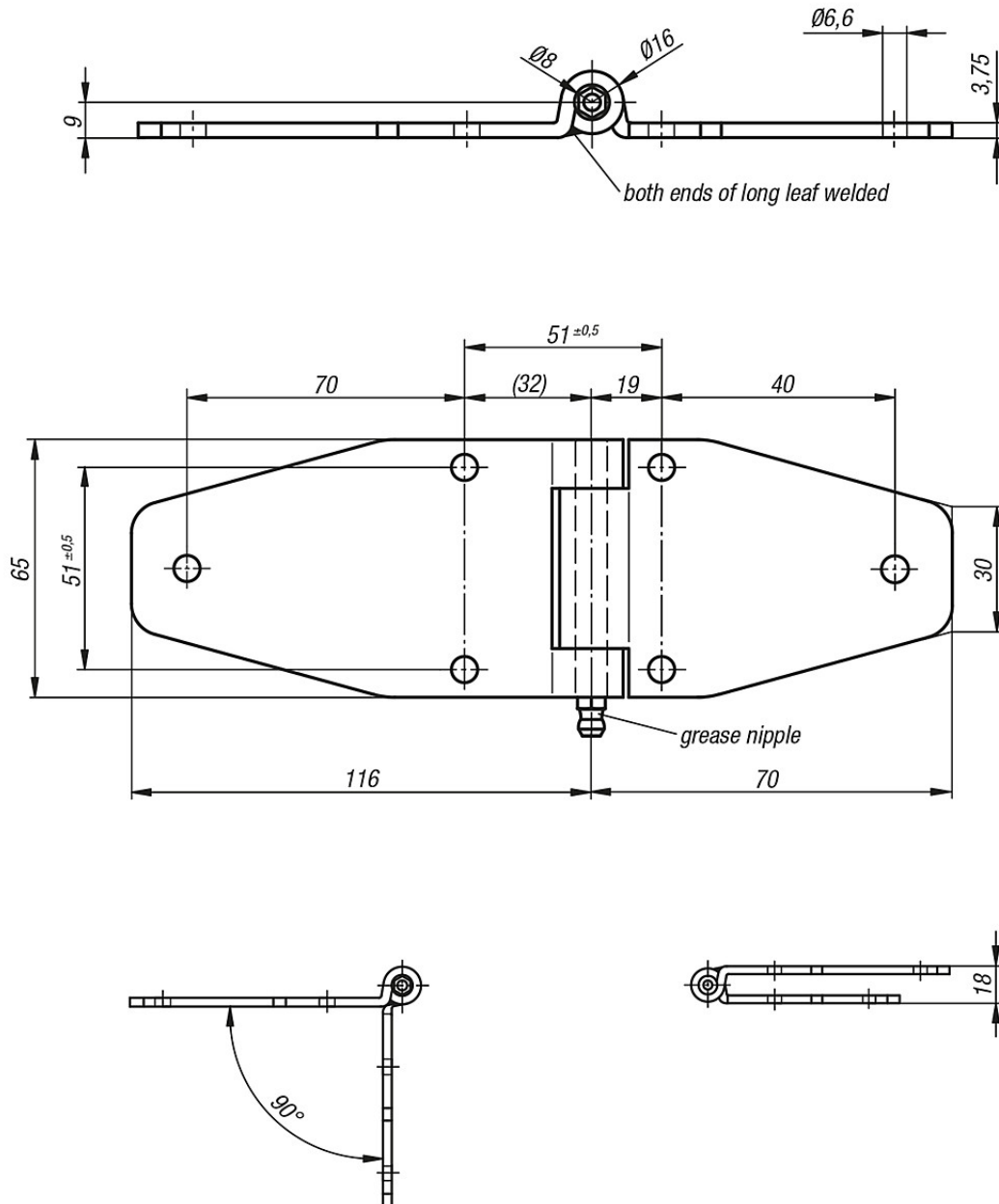
Description

Material:
Stainless steel 1.4301.

Version:
Matt polished.

Note:
Strap hinge for inwards opening doors.
The opening angle is max. 270°.

Drawings



Overview of items

Order No.	Dimensions
100-58-1	siehe Zeichnung