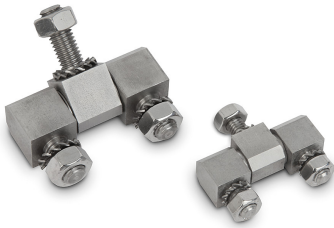


100-60

3-part block hinges

Item description/product images



Description

Material:

Hinge bodies stainless steel 1.4305.

Hinge pin stainless steel 1.4305.

Nuts and washers stainless steel 1.4301.

Version:

Bright.

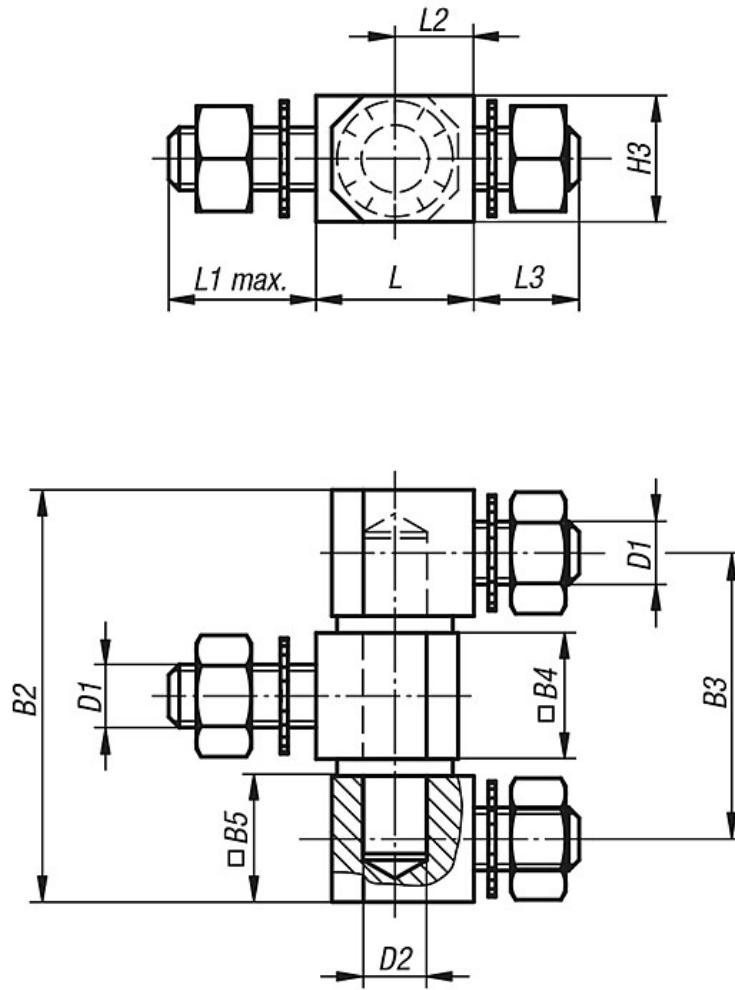
Note:

Block hinge for flush constructions.

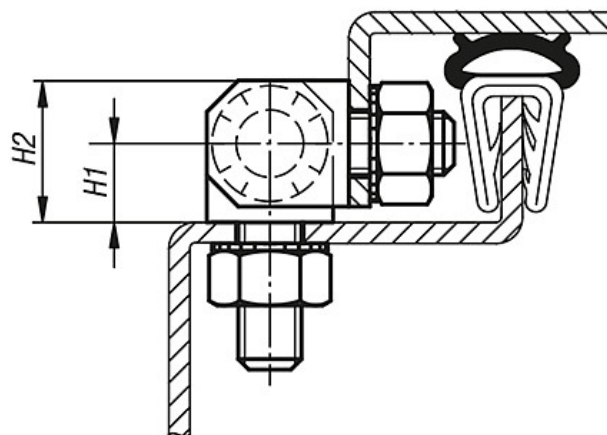
Light and heavy types for outwards opening doors.

The opening angle is max. 270°.

Drawings



Mounting example:



100-60

3-part block hinges

Overview of items

Order No.	Version	L	B2	B3	B4	B5	D1	D2	H1	H2	H3	L1 max.	L2	L3	Load capacity N
100-60-1	light	15	39,2	27,2	12	12	M6	6	7,5	13,5	12	14	7,5	10	2.400
100-60-2	heavy	20	49	33	16	16	M8	8	10	18	16	22	10	14	4.800