

# HIGH-ACCURACY MINIATURE UNIVERSAL LOAD CELLS 51 mm (2") DIAMETER, DUAL STUD MOUNT STYLE STANDARD AND METRIC MODELS

**Tension/Compression  
Calibrated in Tension  
0-25 lb to 0-10,000 lb  
0-11 kgf to 0-4537 kgf**

1 Newton = 0.2248 lb  
1 daNewton = 10 Newtons  
1 lb = 454 g  
1 t = 1000 kgf = 2204 lb

## LC203/LCM203 Series LC213/LCM213 Series



- ✓ 0.25% Interchangeability for Scale Applications
- ✓ Hermetically Sealed
- ✓ Miniature Package for Test Stands and Difficult Locations
- ✓ Heavy-Duty Construction
- ✓ 5-Point Calibration

OMEGA's LC203/LCM203 Series comprises high-accuracy, miniature, low-profile industrial load cells that come with a stud at each end for easy in-line mounting. The tough, corrosion-resistant steel construction and high-accuracy strain gages make them suitable for most industrial weighing applications.

### SPECIFICATIONS

**Excitation:** 10 Vdc, 15 Vdc maximum

**Output:** 2 mV/V ±0.25%

**5-Point Calibration (in Tension):**

0%, 50%, 100%, 50%, 0%

**Linearity:** ±0.15% FSO

**Hysteresis:** ±0.1% FSO

**Repeatability:** ±0.05% FSO

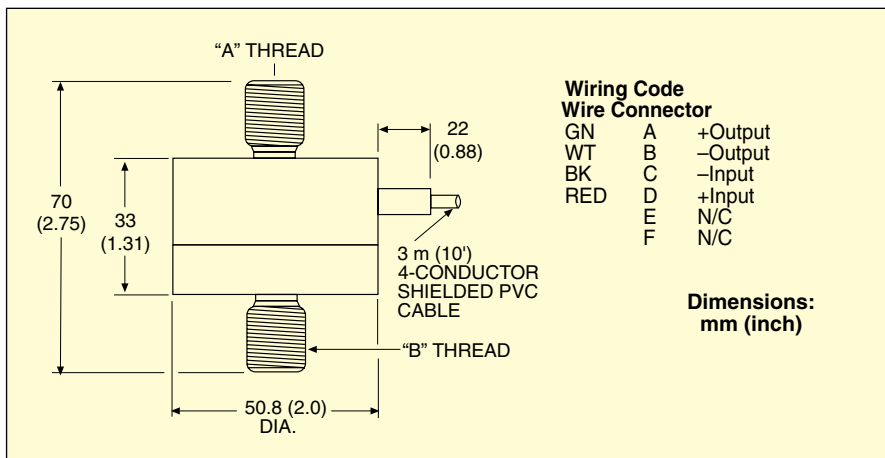
**Zero Balance:** ±2% FSO

**Deflection:** 0.025 to 0.075 mm  
(0.001 to 0.003")



**STANDARD**  
LC203-100,  
shown actual size.

**METRIC**  
LCM213-2KN,  
shown actual size.



**Dimensions:** mm (inch)

MODEL	A THREAD	B THREAD
LC203	½-20 UNF	½-20 UNF
LCM203	M12 x 1.75	M12 x 1.75
<b>Thread Length</b>	19 (0.75)	17 (0.69)

**Protection Class:** IP65

**Operating Temp Range:**

-46 to 107°C (-50 to 225°F)

**Compensated Temp Range:**

16 to 71°C (60 to 160°F)

**Thermal Effects:**

**Zero:** 0.006% FSO/°C

**Span:** 0.009% FSO/°C

**Safe Overload:** 150% of capacity

**Ultimate Overload:** 300% of capacity

**Input Resistance:** 360 Ω minimum

**Output Resistance:** 350 ±10 Ω

**Construction:** Stainless steel

**Electrical:** 3 m (10') 4-conductor  
PVC shielded cable

**LC213/LCM213 Mating Connector:**  
PT06F10-6S (sold separately)

# HIGH-ACCURACY MINIATURE UNIVERSAL LOAD CELLS

## 51 mm (2") DIAMETER, DUAL STUD MOUNT STYLE

**STANDARD**  
LC203-100



**METRIC**  
LCM213-2KN



All models shown slightly smaller than actual size.

**METRIC**  
LCM203-100

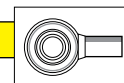


### STANDARD MODELS

To Order				
CAPACITY		MODEL NO.		COMPATIBLE METERS**
lb	kgf	CABLE	CONNECTOR	
25	11	LC203-25	LC213-25	DPiS, DP41-S, DP25B-S
50	23	LC203-50	LC213-50	DPiS, DP41-S, DP25B-S
100	45	LC203-100	LC213-100	DPiS, DP41-S, DP25B-S
200	91	LC203-200	LC213-200	DPiS, DP41-S, DP25B-S
300	136	LC203-300	LC213-300	DPiS, DP41-S, DP25B-S
500	227	LC203-500	LC213-500	DPiS, DP41-S, DP25B-S
1000	455	LC203-1K	LC213-1K	DPiS, DP41-S, DP25B-S
2000	909	LC203-2K	LC213-2K	DPiS, DP41-S, DP25B-S
2500	1134	LC203-2.5K	LC213-2.5K	DPiS, DP41-S, DP25B-S
5000	2269	LC203-5K	LC213-5K	DPiS, DP41-S, DP25B-S
8000	3630	LC203-8K	LC213-8K	DPiS, DP41-S, DP25B-S
10,000	4537	LC203-10K	LC213-10K	DPiS, DP41-S, DP25B-S

### ACCESSORIES

MODEL NO.	DESCRIPTION
REC-012F	Rod end for LC203/LC213
PT06F10-6S	Mating connector for LC213 series load cells
CA-4PC24-2-015	Cable assembly with twist-lock connector for LC213 series load cells



Comes complete with 5-point NIST-traceable calibration and 59 kΩ shunt data.  
DPiS meter suitable for one direction measurement only.

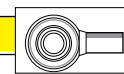
**Ordering Examples:** LC203-500, 500 lb capacity cable style, dual stud mount load cell.  
LC213-2K, 2000 lb capacity connector style, dual stud mount load cell, PT06F10-6S, mating connector.

### METRIC MODELS

To Order				
CAPACITY		MODEL NO.		COMPATIBLE METERS**
N	lb	CABLE	CONNECTOR	
100	22	LCM203-100N	LCM213-100N	DPiS, DP41-S, DP25B-S
200	45	LCM203-200N	LCM213-200N	DPiS, DP41-S, DP25B-S
500	112	LCM203-500N	LCM213-500N	DPiS, DP41-S, DP25B-S
1000	225	LCM203-1KN	LCM213-1KN	DPiS, DP41-S, DP25B-S
2000	450	LCM203-2KN	LCM213-2KN	DPiS, DP41-S, DP25B-S
5000	1124	LCM203-5KN	LCM213-5KN	DPiS, DP41-S, DP25B-S
10,000	2248	LCM203-10KN	LCM213-10KN	DPiS, DP41-S, DP25B-S
20,000	4496	LCM203-20KN	LCM213-20KN	DPiS, DP41-S, DP25B-S*
50,000	11,241	LCM203-50KN	LCM213-50KN	DPiS, DP41-S, DP25B-S*

### ACCESSORIES

MODEL NO.	DESCRIPTION
MREC-M12F	Rod end for LCM203/LCM213
PT06F10-6S	Mating connector for LCM213 series load cells
CA-4PC24-2-015	Cable assembly with twist-lock connector for LCM213 series load cells



Comes complete with 5-point NIST-traceable calibration and 59 kΩ shunt data.  
\* 4-digit meters. \*\* Visit omega.com for compatible meters.

**Ordering Examples:** LCM203-500N, 500 Newton capacity dual stud-mount load cell.  
MREC-M12F, accessory rod end.