

HIGH-ACCURACY, LOW-PROFILE COMPRESSION LOAD CELL

STANDARD AND METRIC MODELS

**Models Available
with Dual Bridge or
Built-In Amplifiers!**

**LC401 (Cable Style)
LC411 (Connector Style)
Compression
0-50 lb to 0-400,000 lb
0-25 kg to 0-5000 kgf**



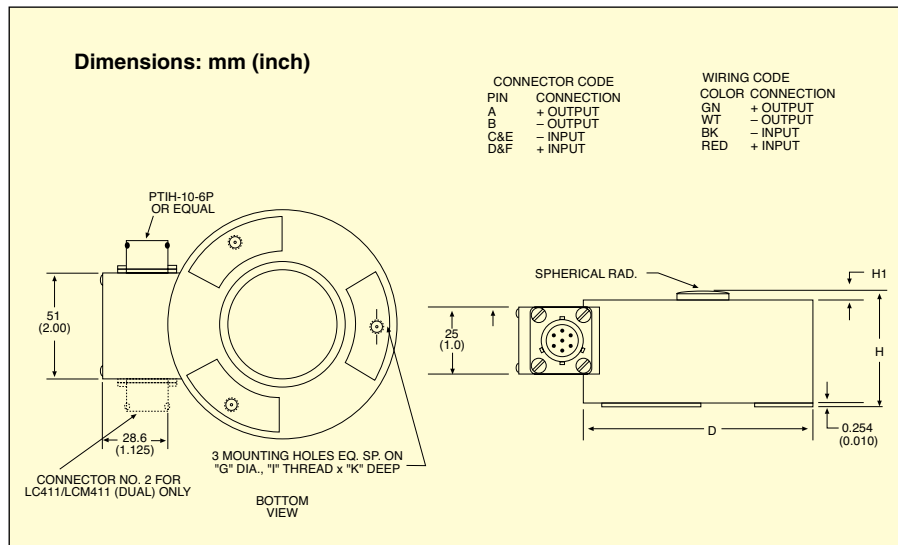
PT06F10-6S,
mating connector
required. Sold
separately.

LC411-20K connector style,
shown actual size.

LC401/LCM401 Series LC411/LCM411 Series



- ✓ Dual-Bridge Models Available
- ✓ Models Available with Built-In 5V Amplifiers
- ✓ All Stainless Steel for Harsh Industrial Applications
- ✓ 0.25% Interchangeability for Multiple Load Cell Applications
- ✓ 5-Point Calibration Provided



Dimensions: mm (inch)

CAPACITY		D	H	H1	K	G	I
lb	kg						
STANDARD MODELS							
50 to 10,000	23 to 4537	66 (2.62)	32 (1.25)	2.3 (0.09)	6.4 (0.25)	56 (2.188)	6-40 UNF-2
15,000 to 25,000	6806 to 11,343	83 (3.25)	41 (1.62)	2.3 (0.09)	6.4 (0.25)	69 (2.719)	10-32 UNF-2
50,000 to 75,000	22,686 to 34,029	127 (5.00)	64 (2.50)	3.0 (0.12)	6.4 (0.25)	105 (4.125)	5/16-24 UNF-2
100,000	45,372	152 (6.00)	89 (3.50)	3.8 (0.15)	9.4 (0.37)	124 (4.875)	7/16-20 UNF-2
200,000	90,744	203 (8.00)	121 (4.75)	4.6 (0.18)	13 (0.50)	164 (6.438)	5/8-18 UNF-2
300,000	136,116	229 (9.00)	121 (4.75)	4.6 (0.18)	16 (0.63)	191 (7.500)	3/4-16 UNF-2
400,000	181,488	254 (10.00)	121 (4.75)	6.4 (0.25)	19 (0.75)	216 (8.500)	7/8-14 UNF-2
METRIC MODELS							
55 to 11,023	25 to 5000	66 (2.62)	32 (1.25)	2.3 (0.09)	6.4 (0.25)	56 (2.188)	M4 x 0.7

LOW-PROFILE COMPRESSION LOAD CELLS

SPECIFICATIONS

Excitation: 10 Vdc (15 Vdc maximum)

Output: 3 mV/V $\pm 0.25\%$

5-Point Calibration: Calibrated at 0%, 50%, 100%, 50%, 0%.

Note: Models >300,000 lb are calibrated to 300,000 lb. Full scale calibration above 300,000 lb within $\pm 1\%$ available.

Linearity:

>3000 lb: 0.10% FSO

≤ 3000 lb: 0.13% FSO

Hysteresis:

>3000 lb: 0.10% FSO

≤ 3000 lb: 0.12 % FSO

Repeatability: 0.05% FSO

Zero Balance: $\pm 1\%$ FSO

Operating Temp Range:

-54 to 107°C (-65 to 225°F)

Compensated Temp Range:

16 to 71°C (60 to 160°F)

Thermal Effects:

Zero: 0.0045% FSO/°C

Span: 0.006% FSO/°C

Safe Overload: 150% full scale capacity

Ultimate Overload: 300% full scale capacity

Bridge Resistance: 350 $\pm 5\Omega$

FS Deflection: 0.001 to 0.003" typical

Construction: 17-4 PH stainless steel

Electrical Connection:

LC401: 4.8 m (15') 4-conductor shielded PVC cable

LC411: PTIH-10-6P twist-lock connector (or equivalent)

Mating Connector: PT06F10-6S (sold separately)

Cable Assembly with Twist-Lock

Connector: CA-6PC24-3-015 (sold separately)

Protection Class: IP65

POPULAR OPTIONS (Additional Cost)

0 to 5 Vdc Output: (≥ 5000 kg) “-5V”

Overload Stops: “-OL”

Dual Bridge: “-DUAL”

Extended Temperature Range:

-45 to 93°C (-50 to 200°F) “-TC1”

-45 to 163°C (-50 to 325°F) “-TC2”

STANDARD MODELS

To Order

CAPACITY		MODEL NO.		COMPATIBLE METERS**
lb	kgf	CABLE	CONNECTOR	
50	23	LC401-50	LC411-50	DP41-B, DP41-S, DP25B-S
100	45	LC401-100	LC411-100	DP41-B, DP41-S, DP25B-S
250	114	LC401-250	LC411-250	DP41-B, DP41-S, DP25B-S
500	227	LC401-500	LC411-500	DP41-B, DP41-S, DP25B-S
1000	455	LC401-1K	LC411-1K	DP41-B, DP41-S, DP25B-S
1500	682	LC401-1.5K	LC411-1.5K	DP41-B, DP41-S, DP25B-S
2000	909	LC401-2K	LC411-2K	DP41-B, DP41-S, DP25B-S
3000	1361	LC401-3K	LC411-3K	DP41-B, DP41-S, DP25B-S
5000	2269	LC401-5K	LC411-5K	DP41-B, DP41-S, DP25B-S
10,000	4537	LC401-10K	LC411-10K	DP41-B, DP41-S, DP25B-S
15,000	6806	LC401-15K	LC411-15K	DP41-B, DP41-S, DP25B-S*
20,000	9074	LC401-20K	LC411-20K	DP41-B, DP41-S, DP25B-S*
25,000	11,343	LC401-25K	LC411-25K	DP41-B, DP41-S, DP25B-S*
50,000	22,686	LC401-50K	LC411-50K	DP41-B, DP41-S, DP25B-S*
75,000	34,029	LC401-75K	LC411-75K	DP41-B, DP41-S, DP25B-S*
100,000	45,372	LC401-100K	LC411-100K	DP41-B, DP41-S, DP25B-S*
200,000	90,744	LC401-200K	LC411-200K	DP41-B, DP41-S, DP25B-S*
300,000	136,116	LC401-300K	LC411-300K	DP41-B, DP41-S, DP25B-S*
400,000	181,488	LC401-400K	LC411-400K	DP41-B, DP41-S, DP25B-S*

Comes complete with 5-point NIST-traceable calibration and 59 k Ω shunt data.

* 4-digit meter.

To order dual-bridge models, add suffix “-DUAL” to model number and additional cost to price. To order optional 0 to 5 V output, add suffix “-5V” to model number and additional cost to price.

Note: Models >300,000 lb are calibrated at 300,000 lb. Full scale calibration above 300,000 lb within $\pm 1\%$ available. Add suffix “-FS” to the model number; consult Sales for price and availability.

Ordering Examples: LC401-1K, 1000 lb capacity cable-style load cell.

LC411-10K-DUAL, 10,000 lb capacity connector-style load cell with dual-bridge option, PT06F10-6S, mating connector (2 required on dual models), sold separately.

METRIC MODELS

CAPACITY		MODEL NO.		COMPATIBLE METERS**
kgf	lb	CABLE	CONNECTOR	
25	55	LCM401-25	LCM411-25	iSeries, DP41-S, DP25B-S
50	110	LCM401-50	LCM411-50	iSeries, DP41-S, DP25B-S
100	220	LCM401-100	LCM411-100	iSeries, DP41-S, DP25B-S
150	331	LCM401-150	LCM411-150	iSeries, DP41-S, DP25B-S
250	551	LCM401-250	LCM411-250	iSeries, DP41-S, DP25B-S
500	1102	LCM401-500	LCM411-500	iSeries, DP41-S, DP25B-S
750	1653	LCM401-750	LCM411-750	iSeries, DP41-S, DP25B-S
1000	2205	LCM401-1K	LCM411-1K	iSeries, DP41-S, DP25B-S
1500	3307	LCM401-1.5K	LCM411-1.5K	iSeries, DP41-S, DP25B-S
2500	5512	LCM401-2.5K	LCM411-2.5K	iSeries, DP41-S, DP25B-S
5000	11,023	LCM401-5K	LCM411-5K	iSeries, DP41-S, DP25B-S

Comes complete with 5-point NIST-traceable calibration and 59 k Ω shunt data.

** Visit us online for compatible meters.

To order dual-bridge models, add suffix “-DUAL” to model number and additional cost to price. To order optional 0 to 5 V output, add suffix “-5V” to model number and additional cost to price.

Ordering Examples: LCM401-500, 500 kgf capacity cable-style load cell;

LCM401-2.5K-DUAL, 2500 kgf capacity cable-style dual-bridge load cell.

PT06F10-6S, mating connector (2 required on dual-bridge models), sold separately.

ACCESSORY

MODEL NO.	DESCRIPTION
PT06F10-6S	Mating connector for LC411/LCM411 series load cells
CA-6PC24-3-015	Cable assembly with twist-lock connector for LC411/LCM411 series load cells

