

BASE MOUNT COMPRESSION LOAD CELLS

RUGGED FOR INDUSTRIAL APPLICATIONS



Compression
24 to 24,000 lb Capacities
11 to 13,600 kgf Capacities

LC414 Series



- ✓ High Accuracy
- ✓ 5-Point NIST Traceable Calibration Included
- ✓ Built-In Mechanical Overload Stops
- ✓ All Stainless Steel Construction for Harsh Industrial Environments
- ✓ Integral Mounting Plate Threaded for 1"-8 Mounting Bolts
- ✓ Up to 12.7 mm (0.5") Off-Center Loading

The LC414 is designed for rugged industrial weighing applications. Built-in overload stops and the ability to withstand up to 12.7 mm (0.5") off center loading allows the LC414 to survive in applications when the load cells would not. The all stainless steel construction and sealed connector provides a load cell that can withstand the harsh environments found in most industrial applications. The integral mounting plate with mounting holes makes installation fast and secure.

LC414-1.2K
shown actual size.

SPECIFICATIONS

Excitation: 10V AC or DC, 15V maximum
Output: 3 mV/V $\pm 0.25\%$
Calibration: 5 points in compression 0%, 50%, 100%, 50%, 0% capacity
Linearity: $\pm 0.05\%$
Hysteresis: $\pm 0.05\%$
Repeatability: $\pm 0.02\%$
Max Off Center Load: 12.7 mm (0.5")
Change in Output Due to 12.7 mm (0.5") Off Center Loading: 0.5% load
Operating Temperature: -18 to 71°C (0 to 150°F)
Compensated Temperature: -9.4 to 46°C (15 to 115°F)

Thermal Effects

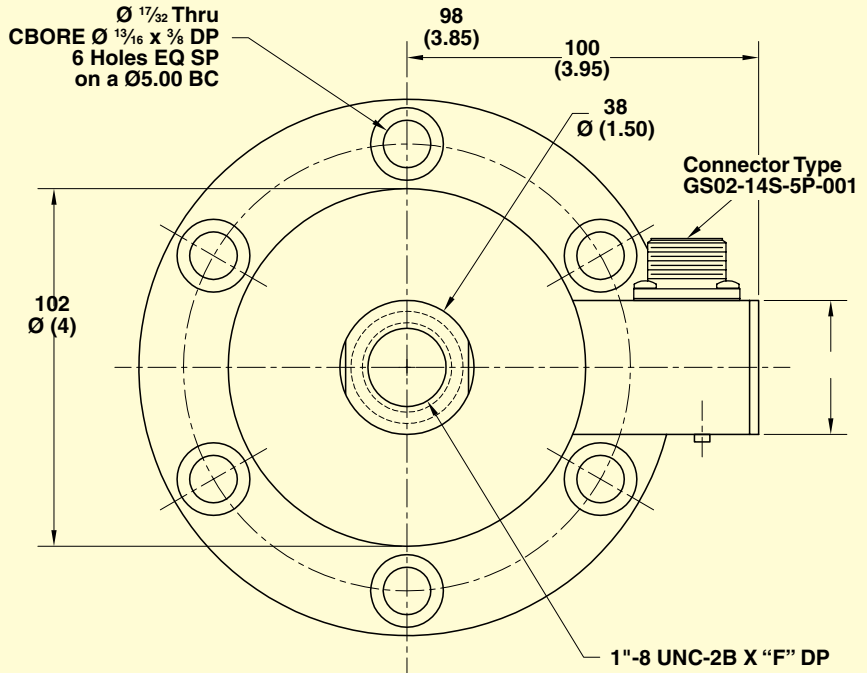
Span: $\pm 0.0014\%$ rdg/°C rated output
Zero: $\pm 0.0023\%$ full scale/°C rated output
Safe Overload: 150% capacity
Ultimate Overload: 225% capacity
Bridge Resistance: 350 Ω nominal
Protection Level: IP66
Electrical Connection: 6 m (20')
Insulation Resistance: 5000 Meg Ω
Span Adjustment: $\pm 2.5\%$
Mating Connector: MS3106F-14S-5S, sold separately
Construction: 17-4 pH stainless steel

Connector Wiring:

A = (-) Output
 B = (-) Excitation
 C = Ground
 D = (+) Output
 E = (+) Excitation



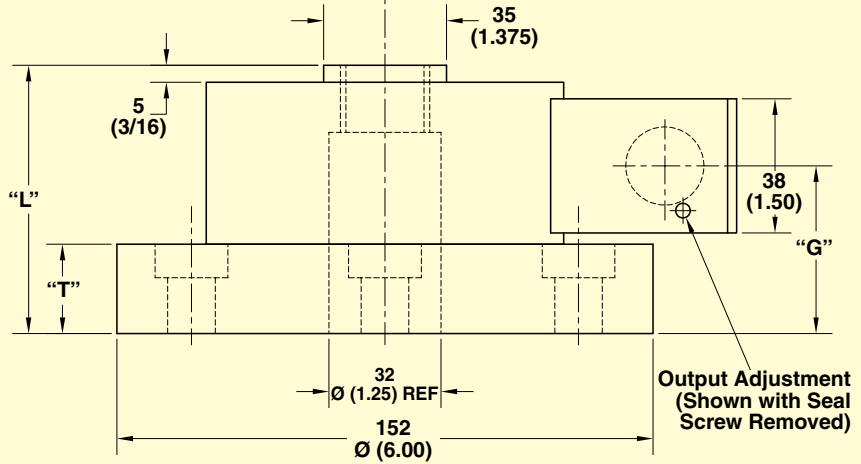
MS3106F-14S-5S, mating connector, sold separately, shown actual size.



CONNECTION WIRING	
INPUT	B(-) E(+)
OUTPUT	A(-) D(+)
GROUND	C

Dimensions: mm (inch)

CAPACITY lb	T	L (± 0.03)	GF	F
30 to 600	25.4 (1)	76 (3)	47.5 (1.87)	12.7 (0.5)
1200 to 6000	25.4 (1)	76 (3)	47.5 (1.87)	19.0 (0.75)
12,000	51 (2)	102 (4)	72.9 (2.87)	19.0 (0.75)
24K to 30K	51 (2)	102 (4)	72.9 (2.87)	25.4 (1)



To Order

CAPACITY		MODEL NO.	DESCRIPTION	COMPATIBLE METERS*
lb	kgf			
24	11	LC414-24	24 lb compression load cell	DP41-S, DP63900, DP25B-S
30	14	LC414-30	30 lb compression load cell	DP41-S, DP63900, DP25B-S
50	23	LC414-50	50 lb compression load cell	DP41-S, DP63900, DP25B-S
60	27	LC414-60	60 lb compression load cell	DP41-S, DP63900, DP25B-S
120	55	LC414-120	120 lb compression load cell	DP41-S, DP63900, DP25B-S
240	109	LC414-240	240 lb compression load cell	DP41-S, DP63900, DP25B-S
600	273	LC414-600	600 lb compression load cell	DP41-S, DP63900, DP25B-S
1200	545	LC414-1.2K	1.2K lb compression load cell	DP41-S, DP63900, DP25B-S
2400	1091	LC414-2.4K	2.4K lb compression load cell	DP41-S, DP63900, DP25B-S
3000	1364	LC414-3K	3K lb compression load cell	DP41-S, DP63900, DP25B-S
6000	2727	LC414-6K	6K lb compression load cell	DP41-S, DP63900, DP25B-S
12,000	5455	LC414-12K	12K lb compression load cell	DP41-S, DP63900
24,000	10,909	LC414-24K	24K lb compression load cell	DP41-S, DP63900
30,000	13,636	LC414-30K	30K lb compression load cell	DP41-S, DP63900

Comes complete with 5-point NIST traceable calibration.

* Visit us inline for compatible meters.

Ordering Examples: LC414-50, 50 lb capacity compression load cell MS3106F-14S-5S, mating connector sold separately.
 LC414-1.2K, 1200 lb capacity compression load cell MS3106F-14S-5S, mating connector sold separately.