

**Item description/product images**



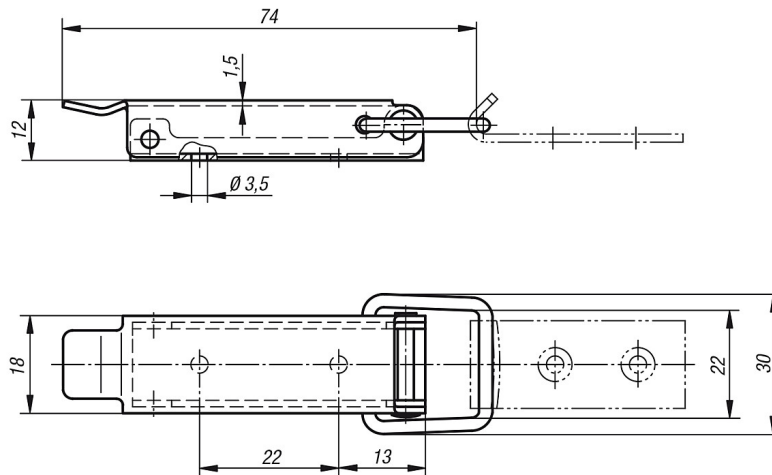
**Description**

**Material:**  
Stainless steel 1.4301.

**Version:**  
Vibratory tumbled.

**Note:**  
For quickly locking vertical or horizontal lids and hatches.  
With possibility to add a security seal.  
Suitable catch plate see 100-32.

**Drawings**



**Overview of items**

Order No.	Dimensions
100-30-1	siehe Zeichnung