

Item description/product images

**Description****Material:**

Stainless steel 1.4301.

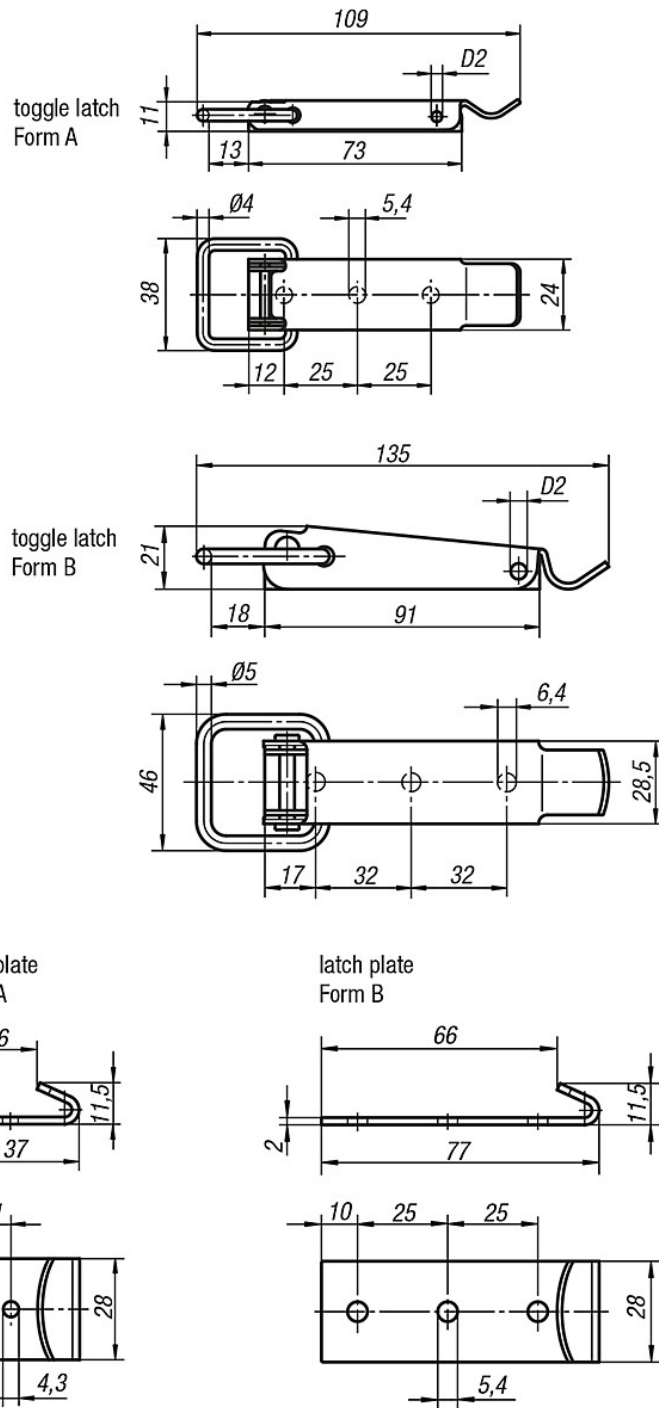
Version:

Bright.

Note:

Latches with bail for securing and locking hatches, container lids, machine panels etc. The overcentre position secures against vibration. The locking tension is applied by the bail. The hole "D2" can be used for security sealing or with a pin to prevent accidental opening. The latch can be screwed down or riveted. Please order the desired latch plate separately.

Drawings



Overview of items

Order No.	Article description	Form	D2	Retaining force F1 N
100-73-1	Toggle latch with catch wire Form A SS 1.4301 109x38	A	3,2	2.000
100-73-2	Toggle latch with catch wire Form B SS 1.4301 135x46	B	3,8	3.000

Order No.	Article description	Form
100-73-3	Toggle hook Form A SS 1.4301 37x28	A

100-73

Latches with bail

Overview of items

Order No.	Article description	Form
100-73-4	Toggle hook Form B SS 1.4301 77x28	B