

Item description/product images

---

**Description****Material:**

Stainless steel 1.4301.

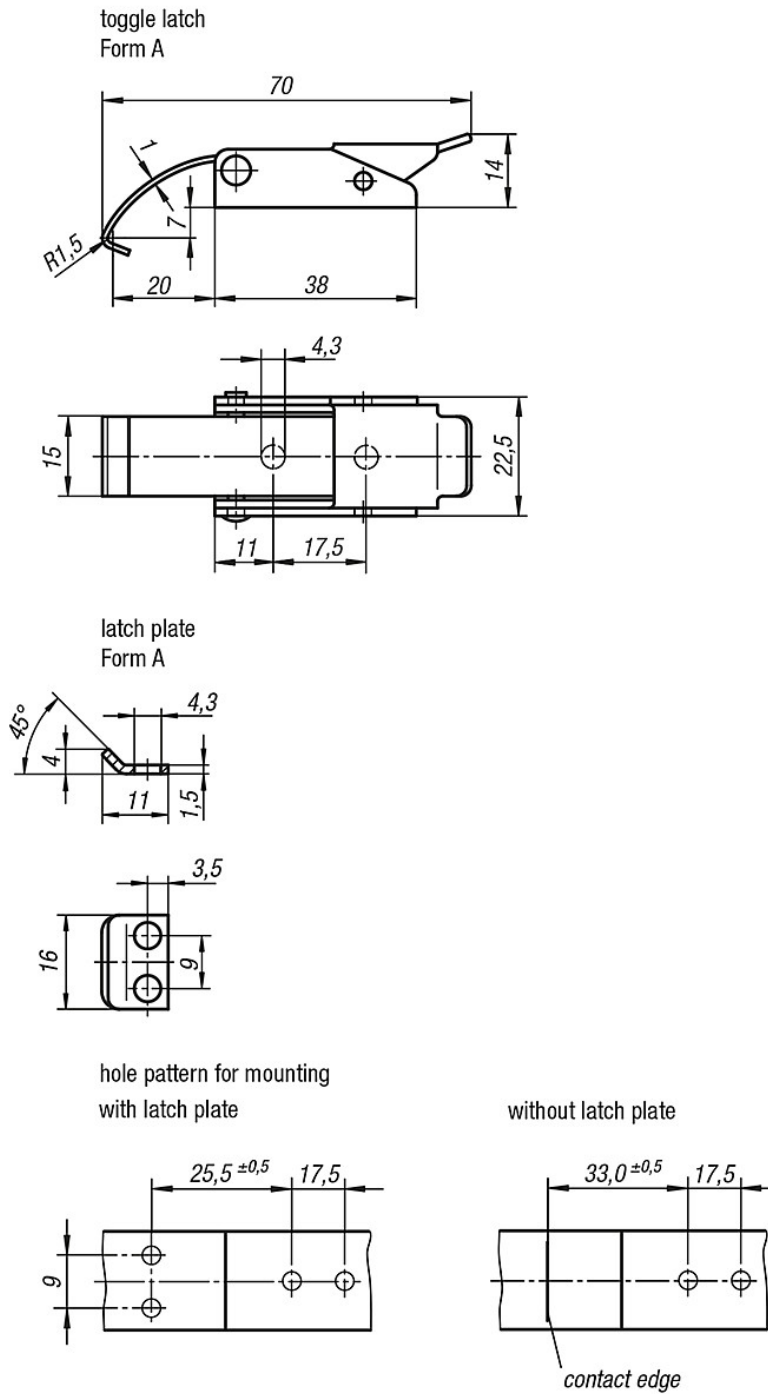
**Version:**

Bright.

**Note:**

Latches with spring clip for securing and locking hatches, container lids, machine panels etc. The overcentre position secures against vibration. The locking tension is applied by the spring clip. The latch can be screwed down or riveted. Please order the catch plate separately.

**Drawings**



**Overview of items**

Order No.	Article description	Dimensions	Retaining force F1 N
100-74-1	Tension latch Form A SS 1.4301 70x22,5	siehe Zeichnung	500

Order No.	Article description	Product	Dimensions
100-74-2	Toggle hook Form A SS 1.4301 11x16	Gegenhaken	siehe Zeichnung

**Overview of items**

---