

100-31

Latches adjustable

Item description/product images



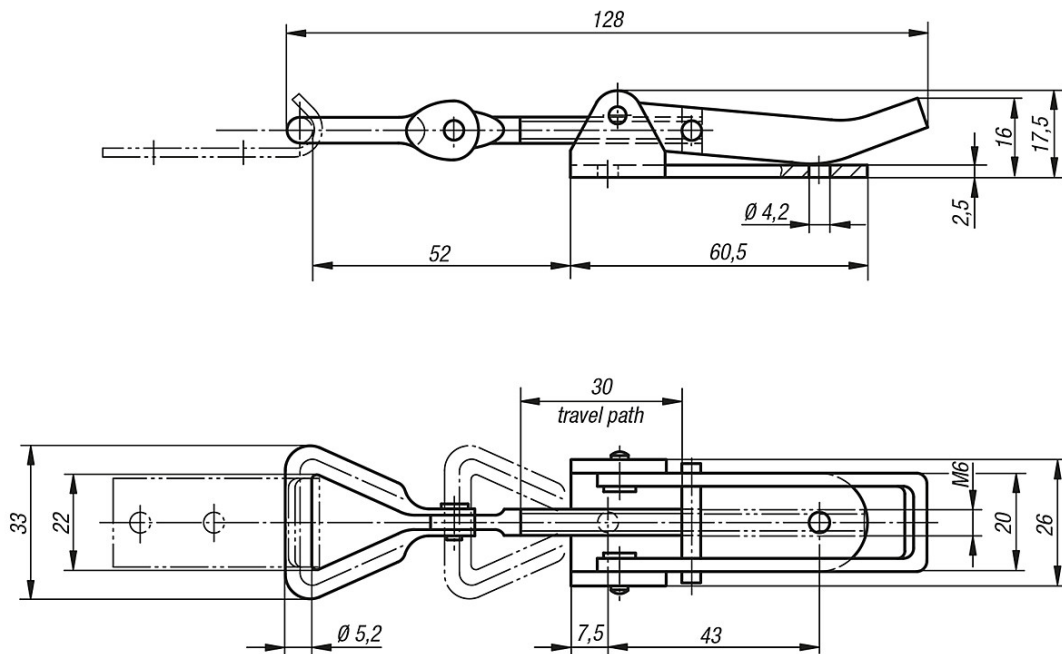
Description

Material:
Stainless steel 1.4301.

Version:
Vibratory tumbled.

Note:
For quickly locking vertical and horizontal hatches and lids.
With screw adjustment, travel 30 mm.
For suitable catch plate please see 100-32.

Drawings



Overview of items

Order No.	Dimensions
100-31-1	siehe Zeichnung