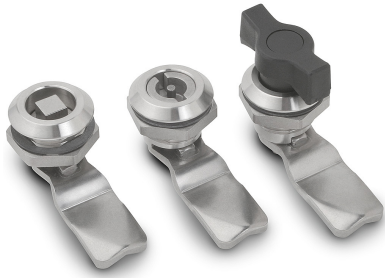


Item description/product images



**Description**

**Material:**

Housing, stainless steel 1.4401.

Actuation and fastening nut, stainless steel 1.4404.

**Version:**

Bright.

**Note for ordering:**

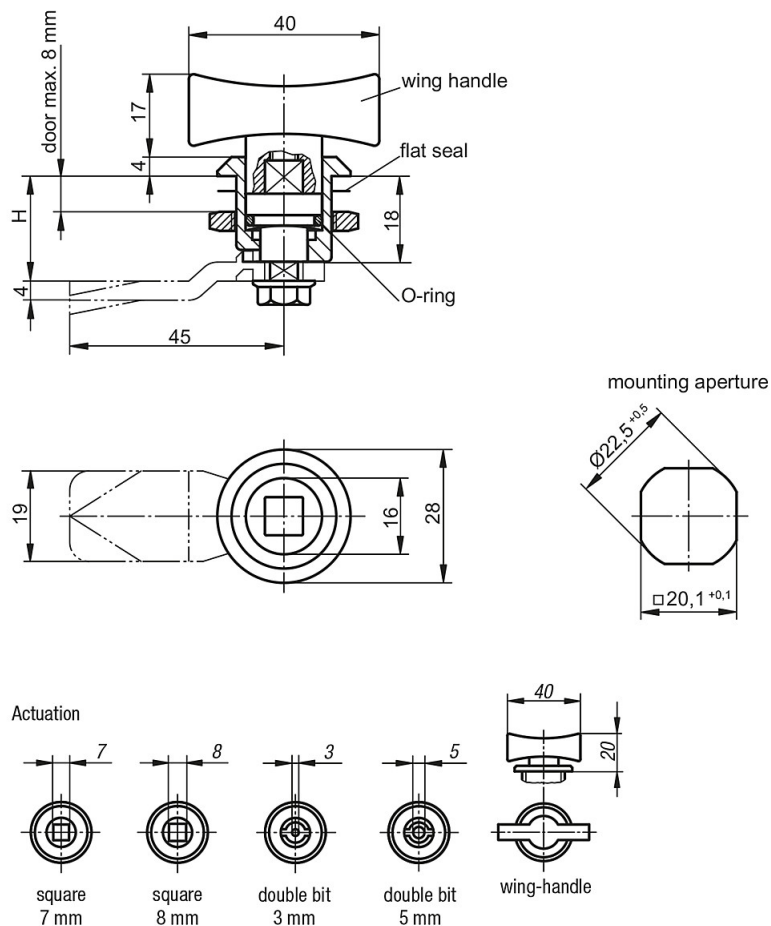
Please order required tongue version separately. Every tongue can be combined with every housing. For a matching tongue, see product group 100-59.

**Note:**

The quarter turn lock can be installed pre-assembled. For right or left use. Water and dust protected acc. to IP65 from DIN EN 60529.

For matching key, see product group 100-8.

Drawings



## Overview of items

| Order No. | Actuation    | H            |
|-----------|--------------|--------------|
| 100-65-1  | square 7     | siehe 100-59 |
| 100-65-2  | square 8     | siehe 100-59 |
| 100-65-3  | double lug 3 | siehe 100-59 |
| 100-65-4  | double lug 5 | siehe 100-59 |
| 100-65-5  | wing knob PA | siehe 100-59 |