

Item description/product images



Description

Material:

Housing and fastening nut, stainless steel 1.4404.
Actuator 1.4401.
O-ring NBR.

Version:

Bright.

Note for ordering:

Please order required tongue version separately. Every tongue can be combined with every housing. For a matching tongue, see product group 100-59.

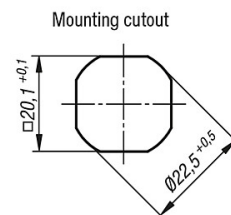
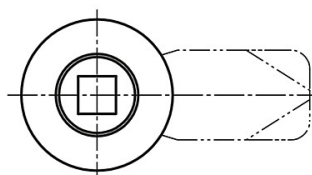
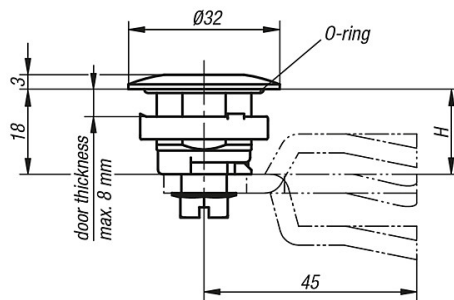
Note:

The quarter turn lock can be installed pre-assembled.
For right or left use.

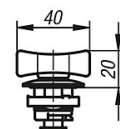
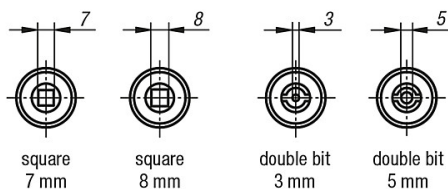
Water and dust protected acc. to IP65 to DIN EN 60529.

For matching keys see product group 100-8.

Drawings



Actuation



Overview of items

Order No.	Actuation	H
100-45-1	square 7	siehe 100-59
100-45-2	square 8	siehe 100-59
100-45-3	double lug 3	siehe 100-59
100-45-4	double lug 5	siehe 100-59
100-45-5	wing knob PA	siehe 100-59