

Item description/product images



Description

Material:

Housing, actuation, restrictor, pin, stainless steel 1.4401.

Version:

Bright.

Note for ordering:

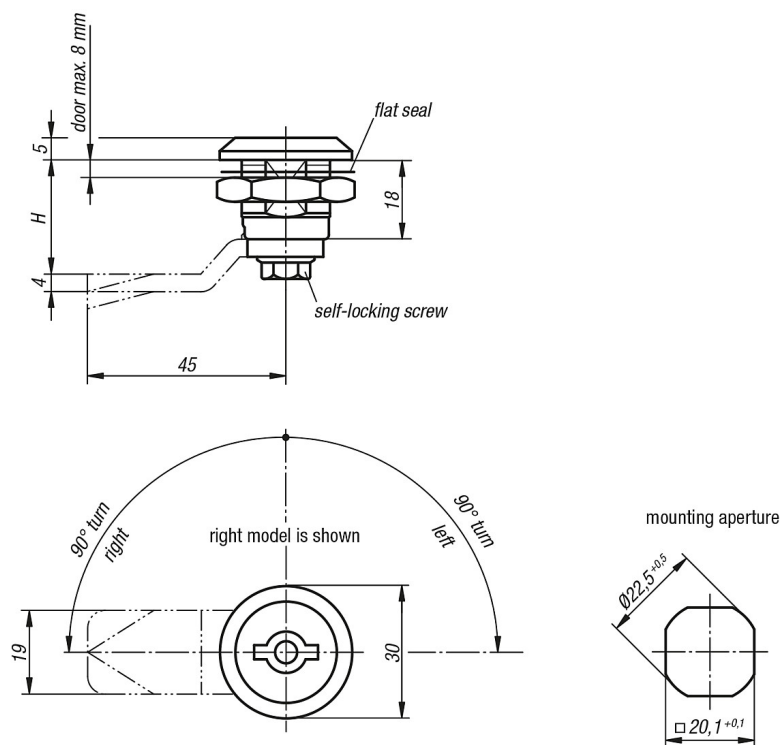
Please order required tongue version separately. Every tongue can be combined with every housing. For a matching tongue, see product group 100-59.

Note:

The secure quarter turn lock is shock and vibration-resistant acc. to DIN 43668 even under high pressing force due to a built-in restrictor element. Actuation without a suitable key is not possible. The key can be removed only in the locked position. quarter turn lock, pre-assembled. Right version = closes anti-clockwise. Left version = closes clockwise. Water and dust protected acc. to IP65 from DIN EN 60529.

For matching key, see product group 100-8.

Drawings



Overview of items

Order No.	Version	Actuation	H
100-64-1	right	double lug 5	siehe 100-59
100-64-2	left	double lug 5	siehe 100-59

100-64

Secure quarter turn locks

Overview of items
