

## Item description/product images



## Description

**Material:**

Housing, actuation, restrictor and fastening nut, stainless steel 1.4305.  
O-ring and flat seal NBR.

**Version:**

Bright.

**Note for ordering:**

Please order required tongue version separately. Every tongue can be combined with every housing. For a matching tongue, see product group 100-59.

**Note:**

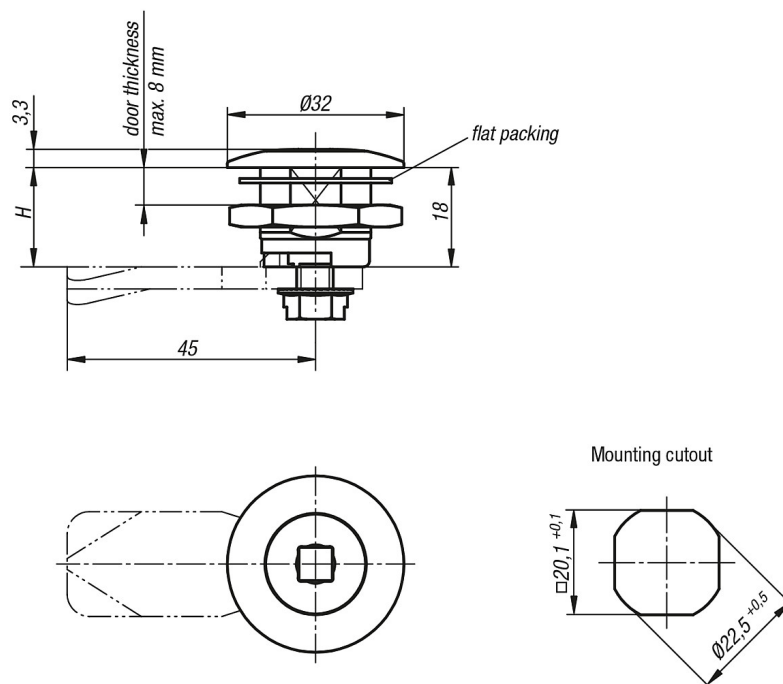
Especially flat design. The secure quarter turn lock is shock and vibration resistant even under high pressures due to a built-in restrictor element. Closed housing surface. Water- and dust-protected in acc. to IP65 to DIN EN 60529.

The secure quarter turn lock can be installed pre-assembled.  
For right or left use.

The tongue has a slight clearance to ensure that the secure quarter turn lock can function even with high pressing force.

For matching key see product group 100-8.

## Drawings



**Overview of items**

---

Order No.	Actuation	H
100-46-1	square 6	siehe 100-59