

Item description/product images



Description

Material:

Housing, actuation and fastening nut, stainless steel 1.4401.
Plate cylinder, stainless steel 1.4401.

Version:

Bright.

Note for ordering:

Please order required tongue version separately. Every tongue can be combined with every housing. For a matching tongue, see product group 100-59.

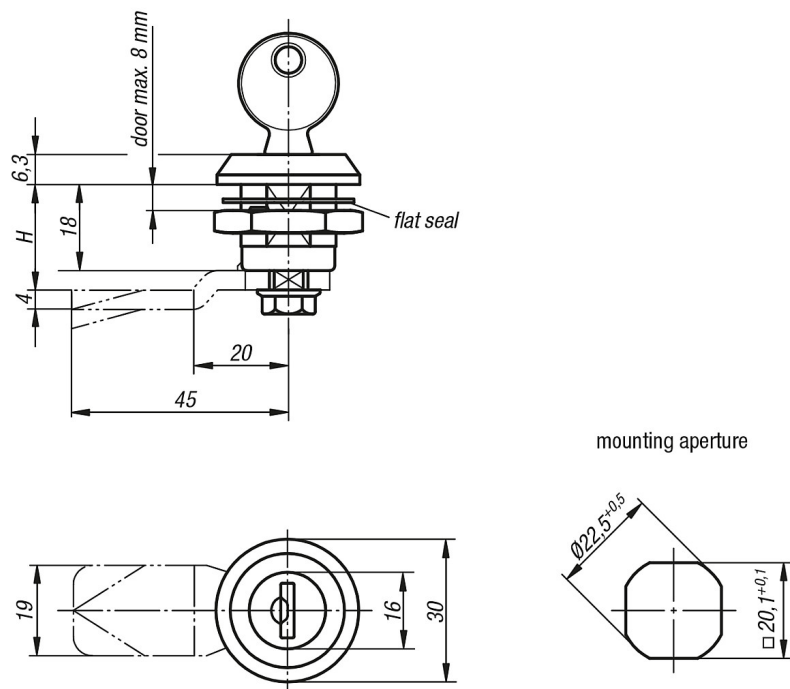
Note:

The quarter turn lock can be installed pre-assembled. Housing with fastening nut and plate cylinder, same key locking, incl. 2 keys.

Spare key on a ring

Order No: 100-8-5.

Drawings



Overview of items

Order No.	Actuation	H
100-68-1	plate cylinder	siehe 100-59

100-68

Quarter turn locks with cylinder

Overview of items
