

Item description/product images



Description

Material:

Housing, actuation and fastening nut, stainless steel 1.4404.
O-rings red silicone, conforming to FDA.

Version:

Bright.

Note for ordering:

Please order required tongue version separately. Every tongue can be combined with every housing. For a matching tongue, see product group 100-59.

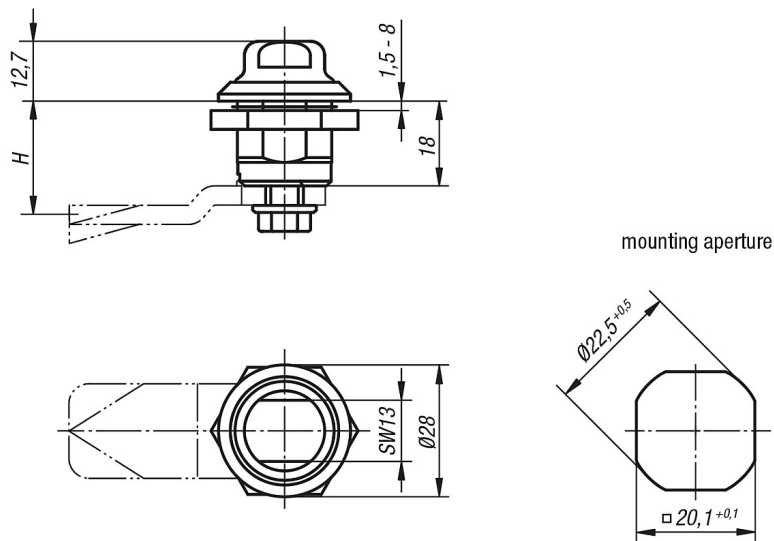
Note:

The quarter turn lock fulfills the hygienic requirements acc. to DIN EN 1672-2 and DIN EN 14159.

Especially suitable for the food and beverage industry.

Suitable key 100-12-10, or 13 mm spanner.

Drawings



Overview of items

Order No.	Article description	H
100-67-1	Hygienic lock SW13 stainless steel 1.4404	siehe 100-59

Order No.	Article description	SW
100-12-10	Key for hygiene toggle lock 100-12 GD-Zn	13
300-201-5	Combination spanner Hazet AF 13 modified with hole	13
300-201-105	Protective cap for open-end spanner aluminium bright AF13/AF10	13

100-67

Quarter turn lock Hygienic