

Item description/product images

**Description****Material:**

Housing, grip and fastening nut, stainless steel 1.4401.

Version:

Bright.

Grip, polished.

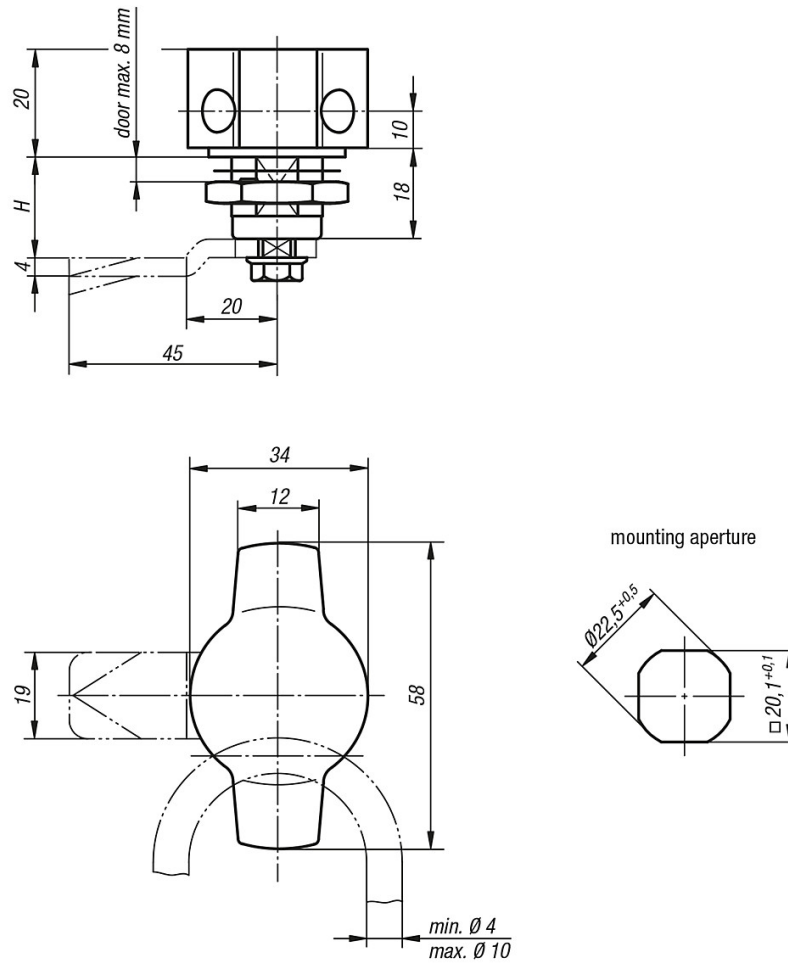
Note for ordering:

Please order required tongue version separately. Every tongue can be combined with every housing. For a matching tongue, see product group 100-59.

Note:

The wing grip quarter turn lock can be installed pre-assembled. For right or left use. Water and dust protected acc. to IP65.

Drawings



Overview of items

Order No.	H
100-77-1	siehe 100-59