

Item description/product images

---

**Description****Material:**

Housing, lever grip and fastening nut, stainless steel 1.4401.  
Plate cylinder, stainless steel.

**Version:**

Bright.  
Lever grip polished.

**Note for ordering:**

Please order required tongue version separately. Every tongue can be combined with every housing. For a matching tongue, see product group 100-59.

**Note:**

The lever grip lock can be installed pre-assembled and locks through 90°. For right or left use. Water and dust protected acc. to IP65 from EN 60529.

The lever grip with lock is supplied with 2 keys. One key for all locks.

Spare key on a ring  
Order No: 100-8-5.

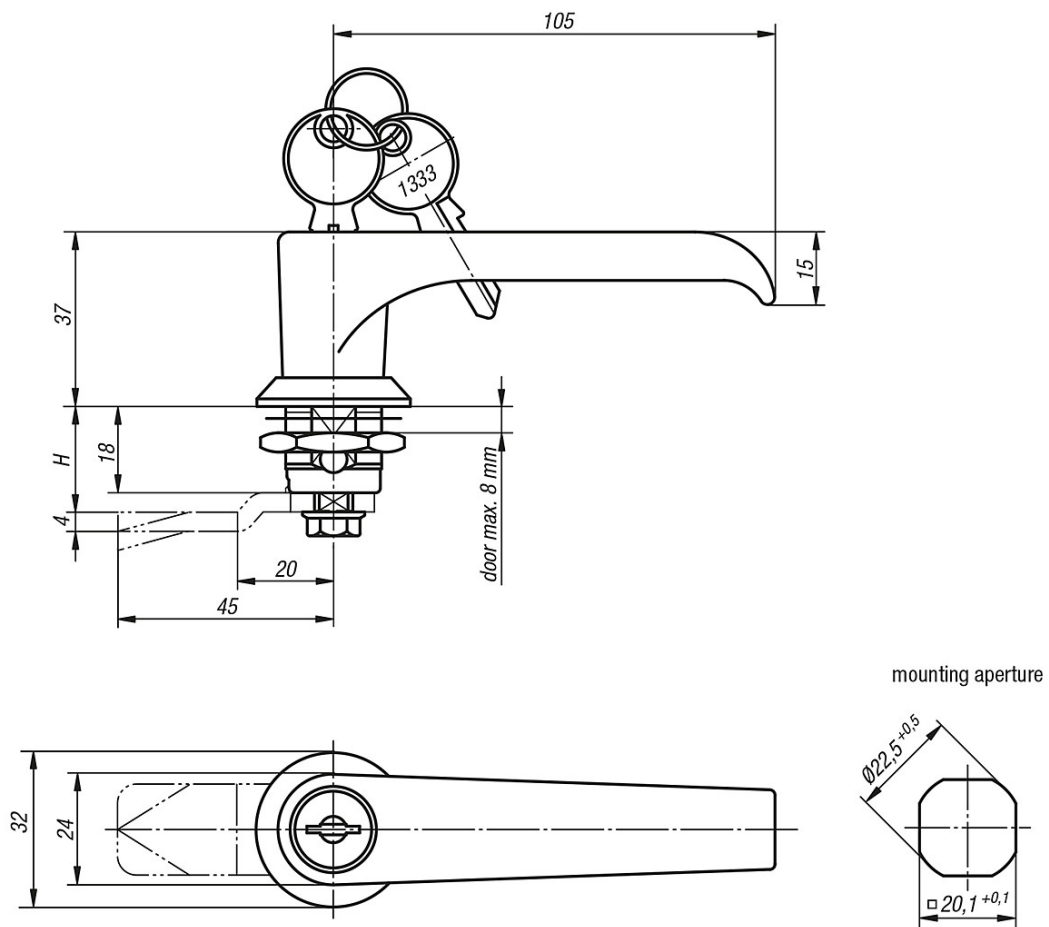
**On request:**

Available for door thickness 20 and 40 mm.

# 100-78

## Lever grip quarter turn locks

### Drawings



### Overview of items

Order No.	Actuation	H
100-78-1	lever grip without cylinder	siehe 100-59
100-78-2	lever grip with cylinder	siehe 100-59