

Item description/product images

---

**Description****Material:**

Stainless steel 1.4301.

**Version:**

Electropolished.

**Note:**

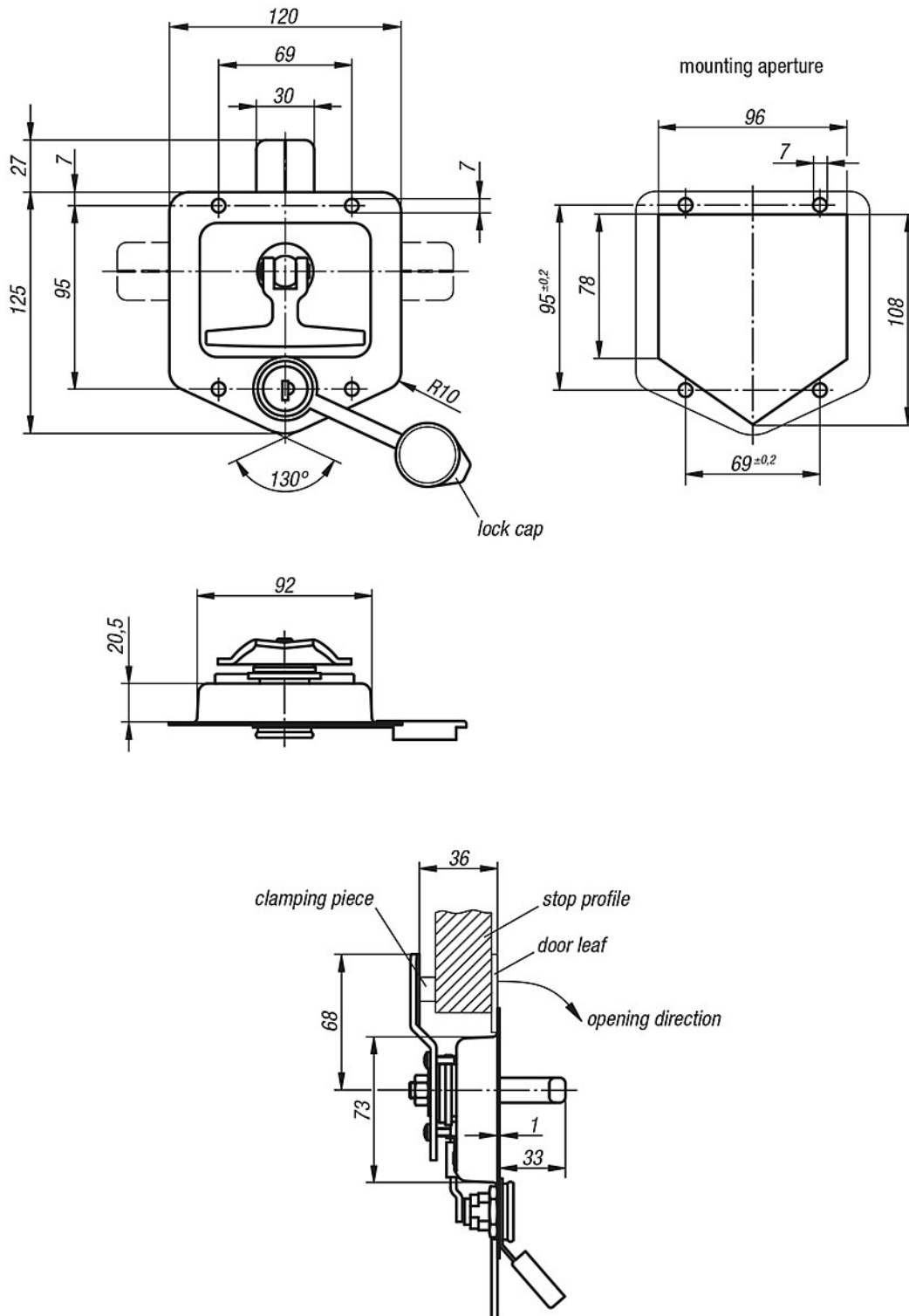
Low-profile lock for trapdoors and hatches.

With spring operated handle return from the open position to closed.

Cylinder lock with plastic dust cover.

A mounting spacer may be required depending on the door thickness - not supplied.

Drawings



Overview of items

| Order No. | Dimensions      |
|-----------|-----------------|
| 100-24-1  | siehe Zeichnung |

**Overview of items**

---