

Item description/product images



Description

Material:

Stainless steel 1.4401.

Version:

Bright.

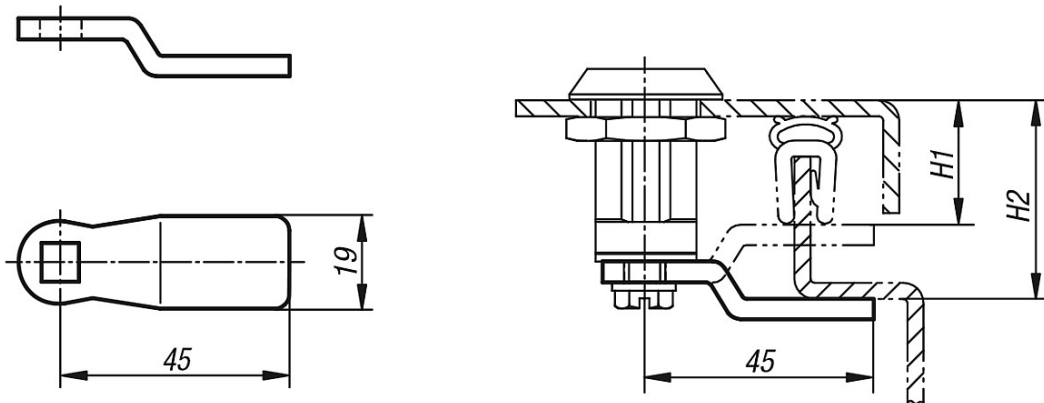
Note:

The cranked tongue is for positive use (cranked downward) or negative use (cranked upward).

Note:

100-29-1

Drawings



Overview of items

Order No.	H1	H2	Suitable for
100-29-1	10	54	100-27 / 100-28
100-29-2	12	52	100-27 / 100-28
100-29-3	14	50	100-27 / 100-28
100-29-4	16	48	100-27 / 100-28
100-29-5	18	46	100-27 / 100-28
100-29-6	20	44	100-27 / 100-28
100-29-7	22	42	100-27 / 100-28
100-29-8	24	40	100-27 / 100-28
100-29-9	26	38	100-27 / 100-28
100-29-10	28	36	100-27 / 100-28
100-29-11	30	34	100-27 / 100-28
100-29-12	32	32	100-27 / 100-28