

## Item description/product images



## Description

**Material:**

Housing, actuation, tongue and fastening nut PA.

**Version:**

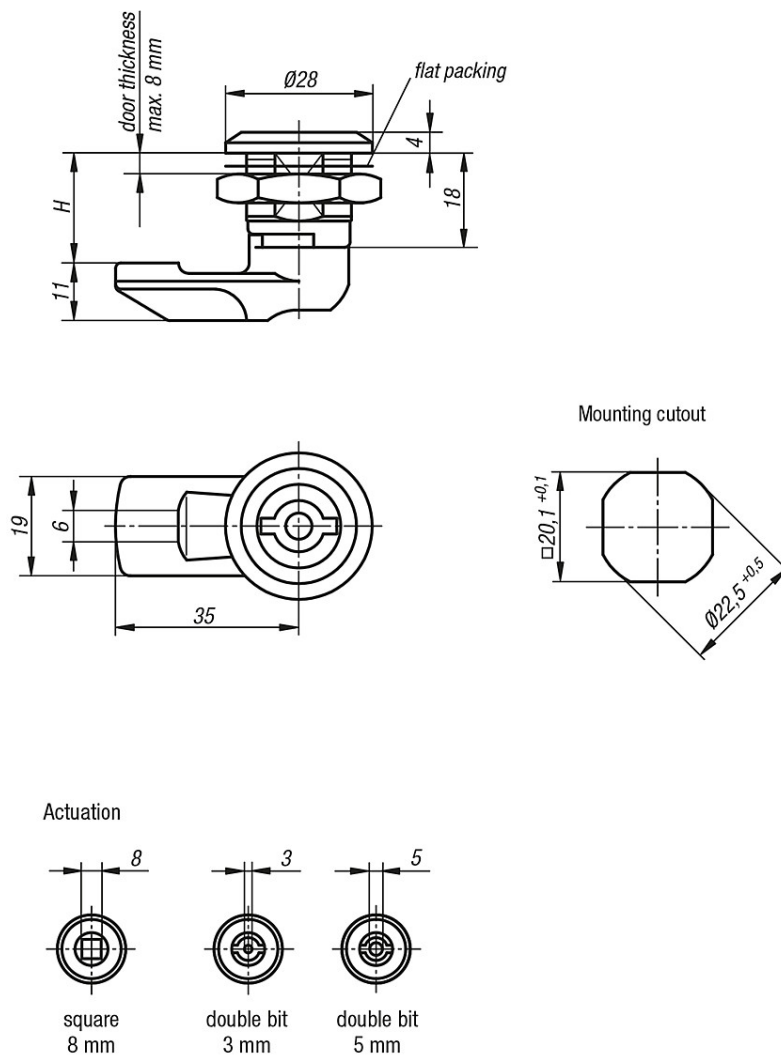
black.

**Note:**

Insulated quarter turn lock. The quarter turn lock can be installed pre-assembled.

For right or left use. Protected from water and dust acc. to IP65 from EN 60529.

## Drawings



## Overview of items

Order No.	H	Actuation
100-48-1	18	square 8
100-48-2	20	square 8
100-48-3	22	square 8
100-48-4	25	square 8
100-48-5	28	square 8
100-48-6	18	double lug 3
100-48-7	20	double lug 3
100-48-8	22	double lug 3
100-48-9	25	double lug 3
100-48-10	28	double lug 3
100-48-11	18	double lug 5
100-48-12	20	double lug 5
100-48-13	22	double lug 5
100-48-14	25	double lug 5
100-48-15	28	double lug 5